

Service Manual

STEREO AMPLIFIER

SA-1000/FVW, KUW

NOTE:

MODEL SA-1000 COMES IN TWO VERSIONS
DISTINGUISHED AS FOLLOWS:

Round label on rear panel	Voltage
FVW	5-position selector
KUW	120V only

CONTENTS

1.	SPECIFICATIONS	3
2.	BLOCK DIAGRAM	5
2.1	Low level input circuit	7
2.2	Head amplifier	7
2.3	High level inputs and control circuits	7
2.4	Control amplifier	7
2.5	Filters	7
2.6	Main amplifier	7
2.7	Protector circuit	7
2.8	Power supply	8
3.	ANALYSIS OF SOME SELECTED CIRCUITS	
3.1	Quasi-complementary push-pull output	9
3.2	D. C. bias apply circuit	10
3.3	Drive amplifier	11
3.4	D. C. neutral potential stabilizer	11
3.5	Signal negative feedback circuit	11
3.6	D. C. neutral voltage detector	11
3.7	Overload detector	12
4.	DISASSEMBLY	
4.1	Removal of the cover	13
4.2	Removal of the bottom plate	13
4.3	Removal of the front panel	13
4.4	Removal of the metal housing	13
4.5	Removal of the units	13
5.	PERFORMANCE CHECKS AND ADJUSTMENTS	
5.1	D. C. voltage check	14
5.2	D. C. neutral voltage & detector circuit adjustment	16
5.3	Idle current adjustment	16
6.	SCHEMATIC AND PRINTED CIRCUIT BOARDS	
6.1	Unit connection diagram	17
6.2	Head amplifier unit	19
6.3	Control amplifier unit	20
6.4	Filter unit	21
6.5	Main amplifier unit	22
6.6	Protector unit	24
6.7	Power supply unit	25
7.	PARTS LIST	
7.1	Miscellaneous parts	26
7.2	Head amplifier unit	29
7.3	Control amplifier unit	30
7.4	Filter unit	31
7.5	Main amplifier unit	32

7.6	Protector unit	34
7.7	Power supply unit	35
8.	PACKING PARTS VIEW	36
9.	ALTERATIONS	
7.	PARTS LIST	
7.1	MISCELLANEOUS PARTS	37
7.2	HEAD AMPLIFIER UNIT	38
7.4	FILTER UNIT	38
6.	SCHEMATIC DIAGRAM AND PRINTED CIRCUIT BOARDS	
6.1	UNIT CONNECTION DIAGRAM	39
6.2	HEAD AMPLIFIER UNIT	41
6.3	FILTER UNIT	42

1. SPECIFICATIONS

SEMICONDUCTORS

FETs	2
Transistors	39
Diodes	18

POWER AMPLIFIER SECTION

Music Power Output (IHF)	240 Watts (4 Ω)	170 Watts (8 Ω)
Continuous Power Output (each channel driven)	94W/94W (4 Ω)	67W/67W (8 Ω)
Continuous Power Output (both channels driven)	82W + 82W (4 Ω)	57W + 57W (8 Ω)
Power Output in the range of 20Hz to 20kHz (both channels driven)	47W + 47W (8 Ω)	Harmonic Distortion Less than 0.3%
Harmonic Distortion	Less than 0.3%	(Continuous power output)
Intermodulation Distortion	Less than 0.2%	(Continuous power output)
Power Bandwidth (IHF)	5Hz to 50kHz (8 Ω)	Harmonic Distortion Less than 0.3%
Frequency Response	5Hz to 80kHz, \pm 1dB	
Input Sensitivity/Impedance (1kHz, Continuous power output)	500mV/100k Ω	
Speakers	4 to 16 Ω	
Damping Factor	More than 65 (8 Ω , 1kHz)	
Center Channel Output	500mV	

PREAMPLIFIER SECTION

Output Voltage	3V (Rated output), 5V (Max.)
Harmonic Distortion	Less than 0.1%
Frequency Response	20Hz, to 60kHz, \pm 1dB
Input Sensitivity/Impedance	PHONO 1 MAG 2.9mV/50k Ω CER 58mV/100k Ω PHONO 2 MM 2.9mV/20k Ω , 50k Ω , 100k Ω MC 115 μ V/30 Ω (with PHONO INPUT TRANSFORMER "PP-402") MIC 2.2mV/50k Ω TUNER 200mV/200k Ω AUX 1,2 200mV/200k Ω TAPE MONITOR 1, 2 200mV/200k Ω
Recording Output	TAPE REC 1, 2 (Pin jack) 200mV TAPE REC (DIN connector) 30mV
BASS Control (3dB step)	-9dB, + 12dB (100Hz)
TREBLE Control (3dB step)	-12dB, + 9dB (10kHz)
LOW Filter	30Hz/-3dB (12dB/oct.) 60Hz/-3dB
HIGH Filter	6kHz/-3dB (12dB/oct.) 12kHz/-3dB
Equalization Curve	PHONO: RIAA
Loudness Contour	+11.5dB/100Hz +6.5dB/10kHz with Volume Control set at -40dB position.
Muting	-20dB
Hum and Noise (IHF)	PHONO More than 80dB TUNER, AUX More than 100dB

Channel Separation (1kHz) PHONO More than 50dB
 TUNER, AUX More than 55dB

MISCELLANEOUS

Power Requirements 110V, 120V, 130V, 220V and 240V.
 (Switchable) FVW model
 120V KUW model
 50 ~ 60Hz

Power Consumption 340W (Max.)

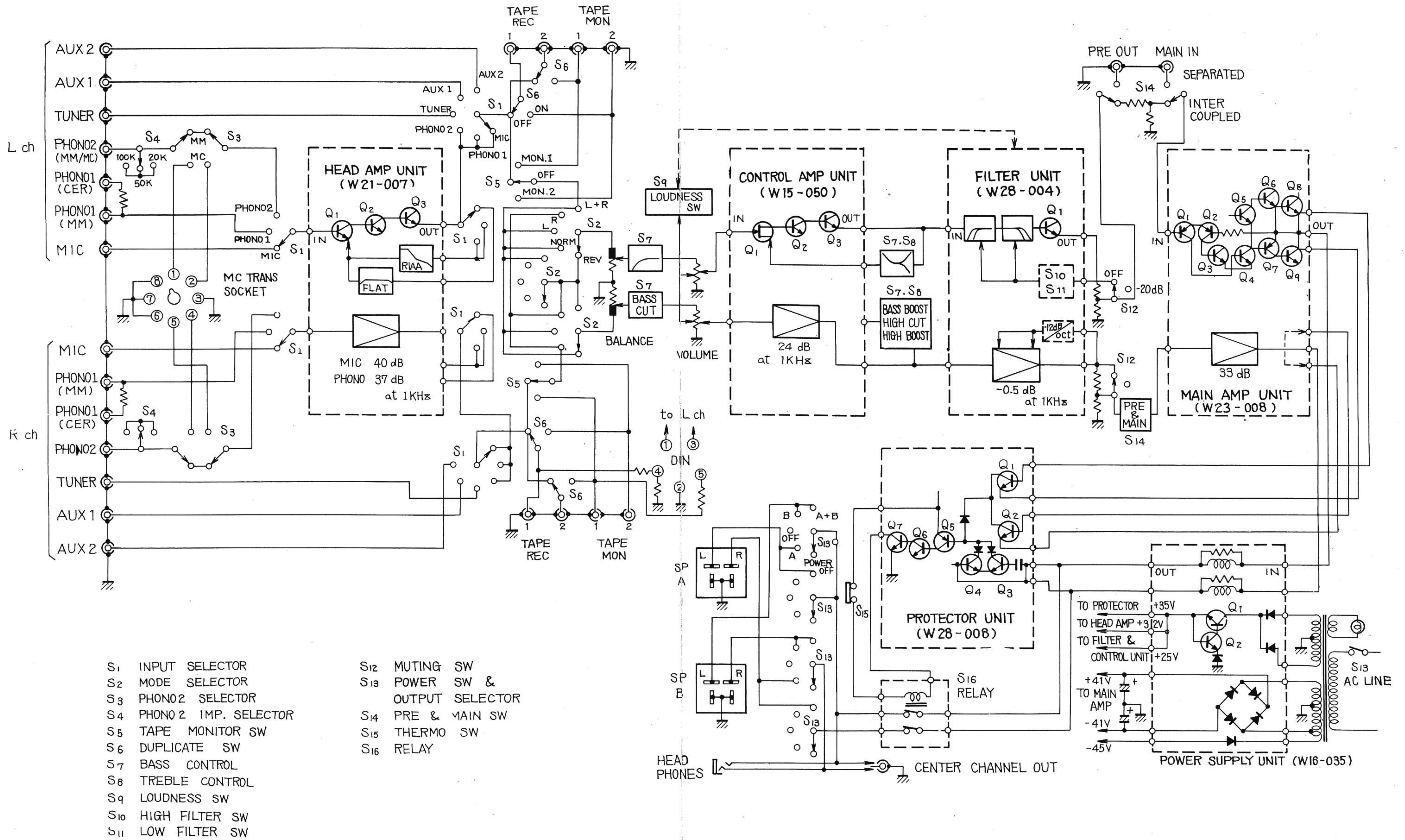
Dimensions (overall) 16 $\frac{15}{16}$ " /430mm (width)
 5 $\frac{11}{16}$ " /145mm (height)
 13 $\frac{1}{4}$ " /337mm (depth)

Weight Without package 28 lb 3 oz/12.8kg
 With package 29 lb 5 oz/14.5kg

NOTE: Specifications and the design subject to possible modification without notice due to improvements



2. BLOCK DIAGRAM



- S1 INPUT SELECTOR
- S2 MODE SELECTOR
- S3 PHONO2 SELECTOR
- S4 PHONO2 IMP. SELECTOR
- S5 TAPE MONITOR SW
- S6 DUPLICATE SW
- S7 BASS CONTROL
- S8 TREBLE CONTROL
- S9 LOUDNESS SW
- S10 HIGH FILTER SW
- S11 LOW FILTER SW

- S12 MUTING SW
- S13 POWER SW & OUTPUT SELECTOR
- S14 PRE & MAIN SW
- S15 THERMO SW
- S16 RELAY

The block diagram shows the signal path in the SA-1000 as well as the auxiliary circuits such as the overload protector and power supply.

2-1. LOW LEVEL INPUT CIRCUIT

Low level signals such as outputs from phono cartridge or microphone are supplied into the PHONO 1/2 and MIC input jacks. The input impedance of the PHONO 2 inputs is selectable by S4, to obtain optimum load impedances for different types of magnetic cartridges. S3 selects between moving coil (MC) and moving magnet (MM) cartridges.

Low output MC cartridges can be accommodated with the help of an optional 14-time step-up transformer (Pioneer model PP-402) which can be plugged into the 8P connector. Program sources and their matched impedances are selected by the input selector, S1.

2-2. HEAD AMPLIFIER

The complete head amplifier is contained on the W21-007 PCB, consisting of two voltage amplifiers and directly coupled emitter-follower circuitry. The overall negative feedback loop circuit for compensation is connected between the emitters of Q1 and Q3.

Compensation characteristics are: RIAA playback standard for PHONO, flat response for microphone.

2-3. HIGH LEVEL INPUTS AND CONTROL CIRCUITS

High level inputs such as AUX 1/2 and TUNER are also selected by S1. Input from tape deck and recording output signal (a head amplifier output or a direct output from a high level input) are switched by S5 and S6, respectively. The selected signal then passes to mode switch S2, balance and volume controls through the RC network which establishes the characteristic of the tone control bass cut side. This characteristic can be switched by part of S7.

2-4. CONTROL AMPLIFIER

This stage, consisting of one FET and two transistors, is embodied on PCB No. W15-050. The FET is used in the top amplifier to obtain stable, high impedance under all conditions; the Q3 emitter-follower circuit maintains good negative feedback conditions for the tone control circuits.

The output from this stage passes to the next filter stage and the switched RC network which determines the tone control characteristics, i.e. treble boost and cut and bass boost.

2-5. FILTERS

The filter stage is embodied in PCB No. W28-004. Filter design uses switchable RC factors with emitter-follower transistors. Basically, this variable filter operates according to the active filter principle; it features a steep-cut, 12dB/oct characteristic. The cut-off frequencies (-3dB) are selected by switches S10 and S11 — S10 selects the treble cut-off points (6 or 12 kHz), S11 selects the bass cut-off points (30 or 60 Hz).

2-6. MAIN AMPLIFIER

The main stereo amplifier stage consists of 4 power transistors mounted on heat sink and 14 other transistors. It is mounted on PCB No. W23-008. Of the seven transistors in each channel, Q1 and Q2, and Q3 and Q4 operate in pairs, forming a differential amplifier. This eliminates DC voltage and current drift in the transistors caused by fluctuations in the ambient temperature, thereby stabilizing the amplifier's total performance.

In the above-mentioned differential amplifier, the base of Q1 receives the signal input while the overall NFB voltage is applied to the base of Q2. The output of this stage, somewhat resembling a push-pull output, is taken from between the collectors of Q1 and Q2 and applied to the bases of the following differential amplifier, Q3 and Q4. The output from the Q3 emitter is applied to the emitter of Q4. On the other hand, an inverted emitter input is also applied to the base of Q4 so that Q4 amplifies the sum total of these input values. The output from Q4 drives the quasi-complementary Darlington output stage consisting of transistor pairs Q6/Q8 and Q7/Q9. Q5 does not serve for signal amplification but works in combination with diode to stabilize the bias of Q6, Q7 and Q8, Q4 against temperature fluctuations.

2-7. PROTECTOR CIRCUIT

The protector consists of two types of detectors and a DC amplifier, all assembled on PCB No. W28-008.

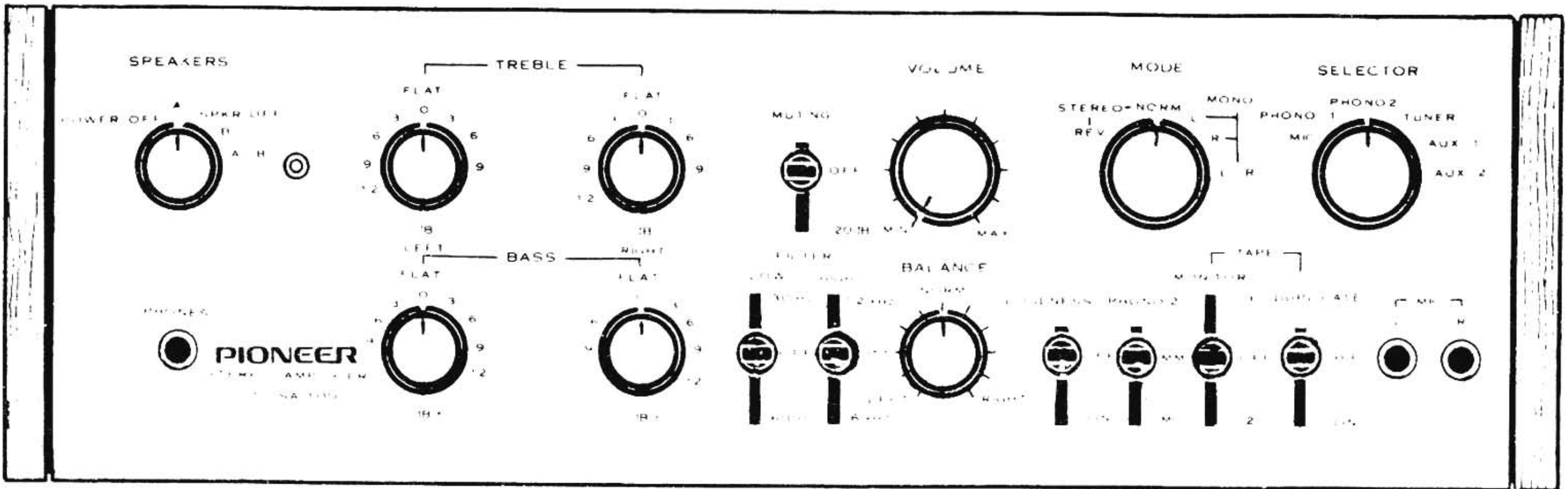
Q1 is a detector for static overload exceeding the rated collector current limit and caused by thermal running of the power transistors or trouble in some part, and for dynamic overload caused by a drop in the output load impedance below 2 ohms. Q1 protects the left channel, Q2 the right channel. Q3 and Q4 form a differential amplifier which detects DC drift voltages present at the output. It serves both channels simultaneously.

Q5 — Q7 form a trigger circuit for the relay at the DC amplifier. In normal operation, the relay contacts are closed by the collector current of Q7 and the output signal is fed to the speakers. If the detector detects some trouble, the relay opens and disconnects the output terminals from the original output point in the circuit.

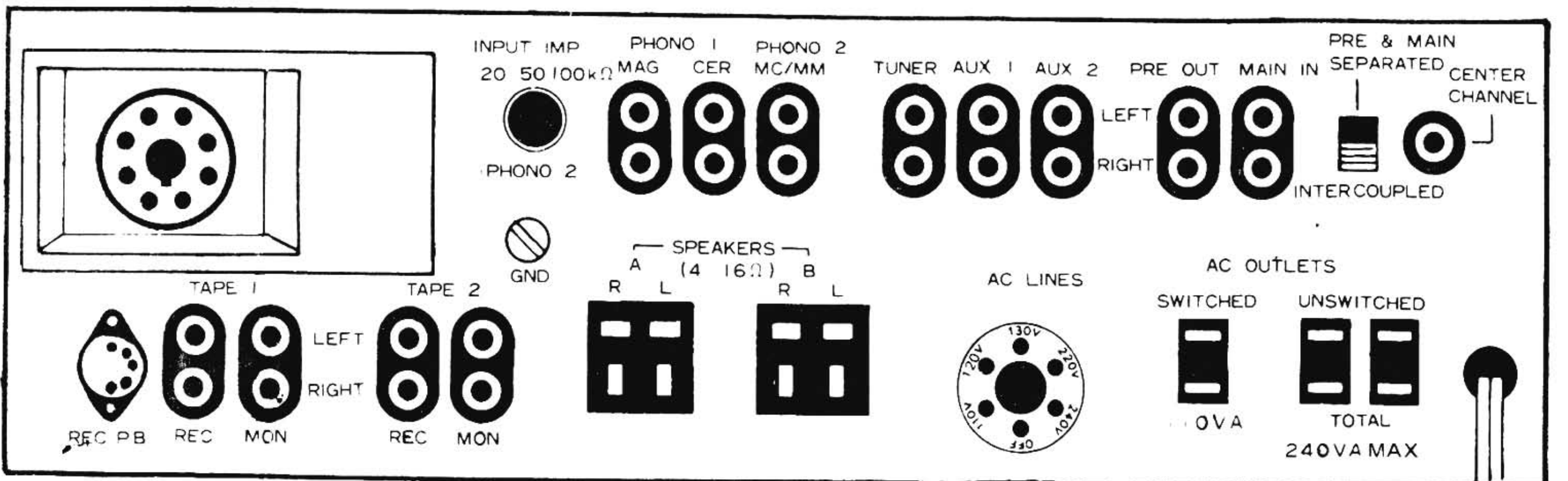
2-8. POWER SUPPLY

Q1 and Q2 are voltage regulators, supplying low-ripple rectified current to the preamplifier. The balanced voltage supply for the power amplifier is obtained from other power transformer taps via a bridged rectifier. All parts except the filter capacitor and power transformer are located on PCB No. W16-035.

FRONT VIEW



REAR VIEW



3. ANALYSIS OF SOME SELECTED CIRCUITS

Fig. 1 shows the main amplifier stage to be analyzed. Explanations of the operation theory follow the numbers in the hatch part of fig. 1.

3-1. QUASI-COMPLEMENTARY PUSH-PULL OUTPUT (Block 1)

Figs. 2 and 3 illustrate how NPN + NPN and PNP + NPN transistors can be converted into the equivalent of a single transistor by connecting them in the Darlington mode. By this method, the stages from Q6 to Q9 can be considerably simplified, as shown in fig. 4.

However, because Q6 operates as emitter-follower, and Q7 as collector-follower, in the typical quasi-complementary circuit constituted by Darlington connection, their top and bottom transistor input impedances vary. Resistor R27 compensates for this difference.

Fig. 4 shows basic operation with zero DC operation bias. Because a crossover is produced in the output as shown in fig. 5, a DC voltage equal to the total base-emitter bias of Q6, Q7 and Q8 is applied between the bases of Q6 and Q7. The base of Q6 has, of course, + potential, the base of Q7 has - potential. In normal operation, this voltage is approximately 1.8 ~ 2.1V. The DC voltage between output terminal (i.e. junction of R28 and R29) and chassis would be approximately 0 if its top and bottom are balanced.

This distribution of DC voltages, vitally important for adjustments and trouble-shooting, is shown in fig. 6.

Voltage against chassis, at zero signal operation.

- * E1, E2, E3 approximately 0V
- * All VBE voltages approximately 0.7V

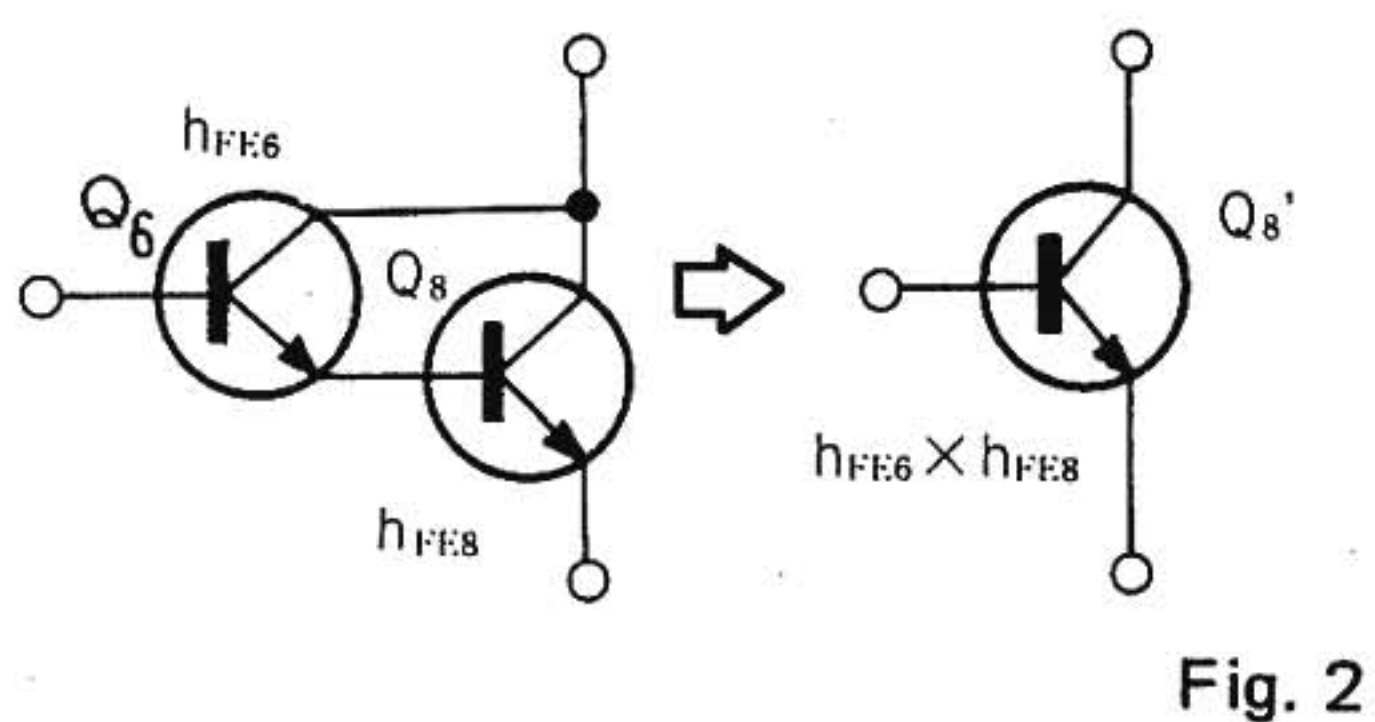


Fig. 2

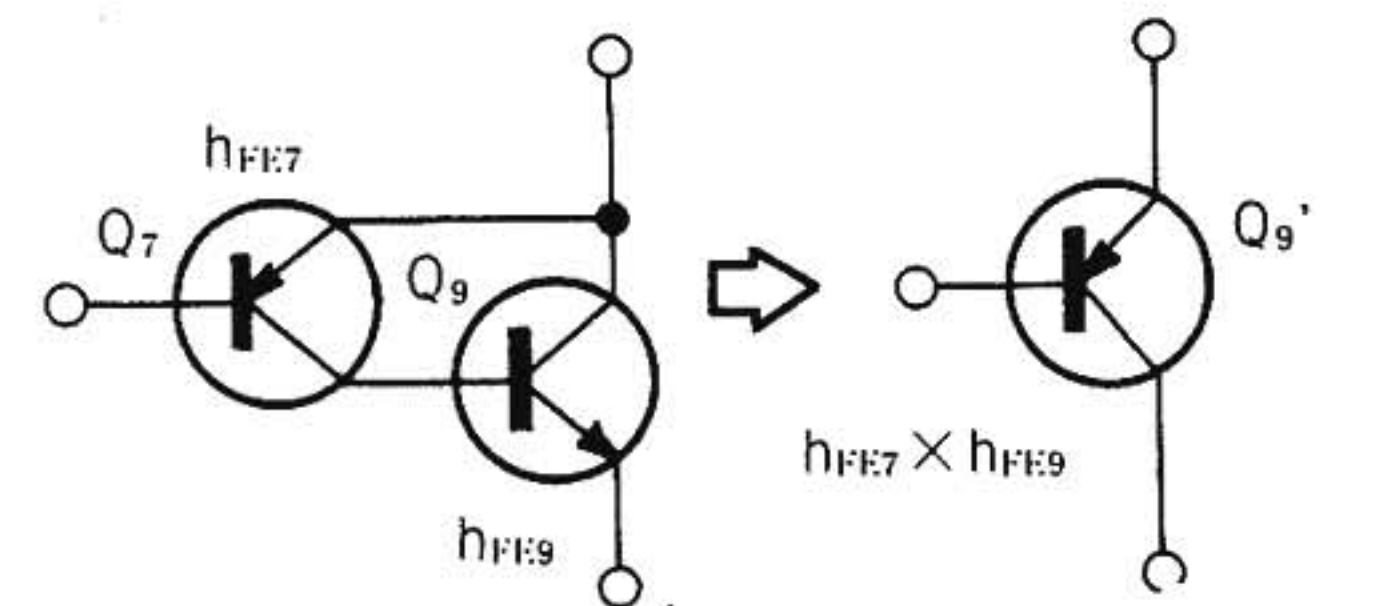


Fig. 3

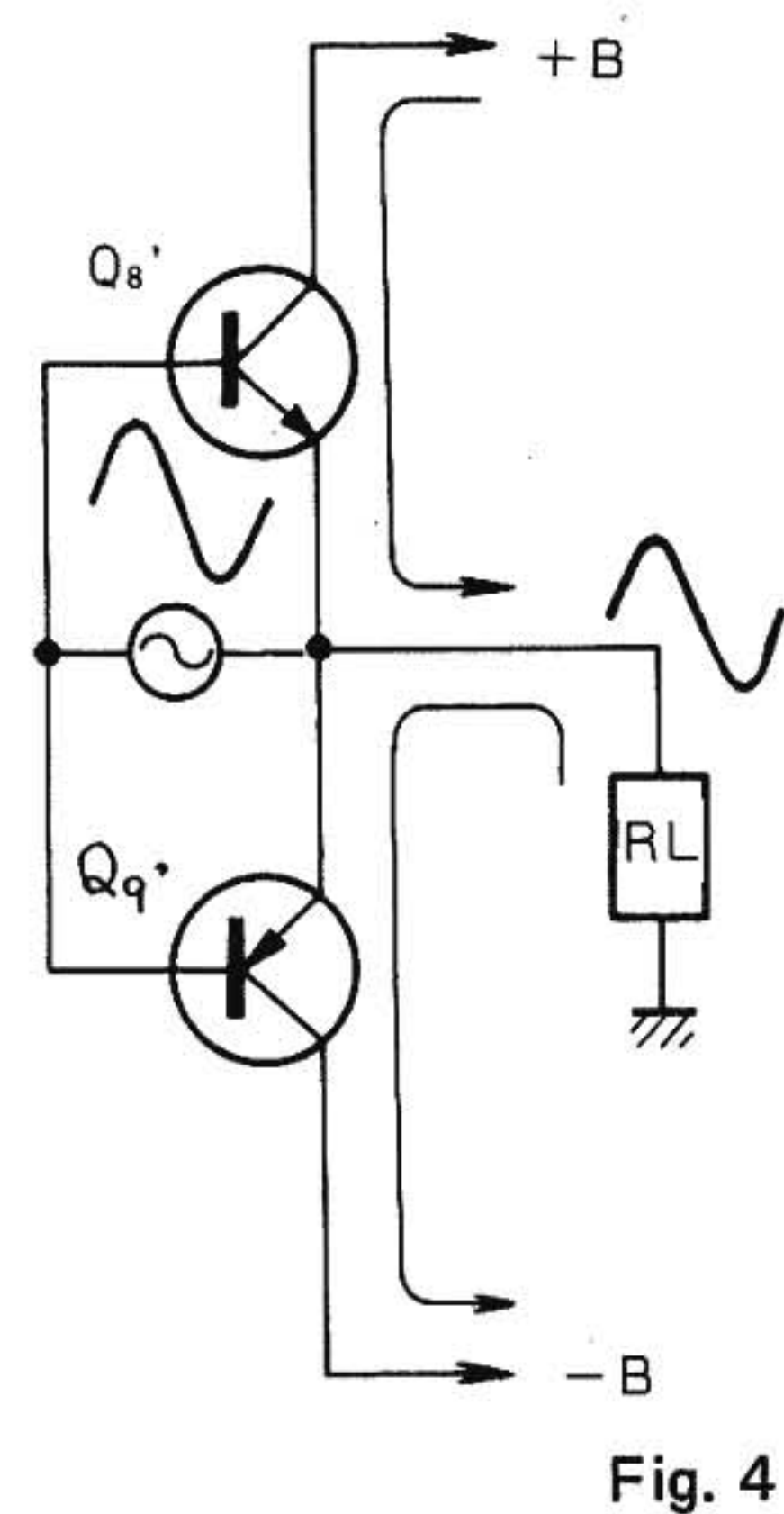


Fig. 4

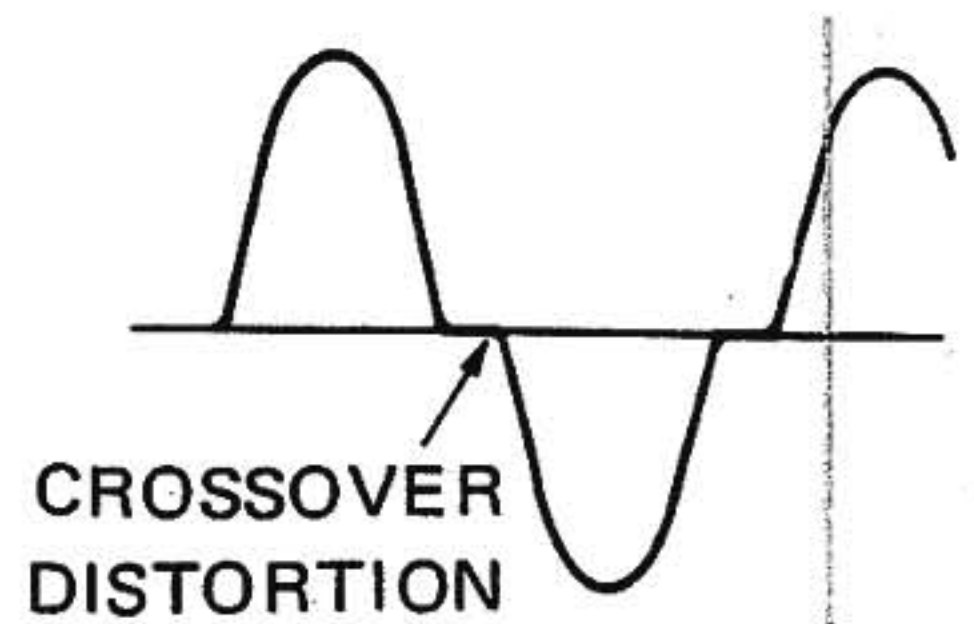


Fig. 5

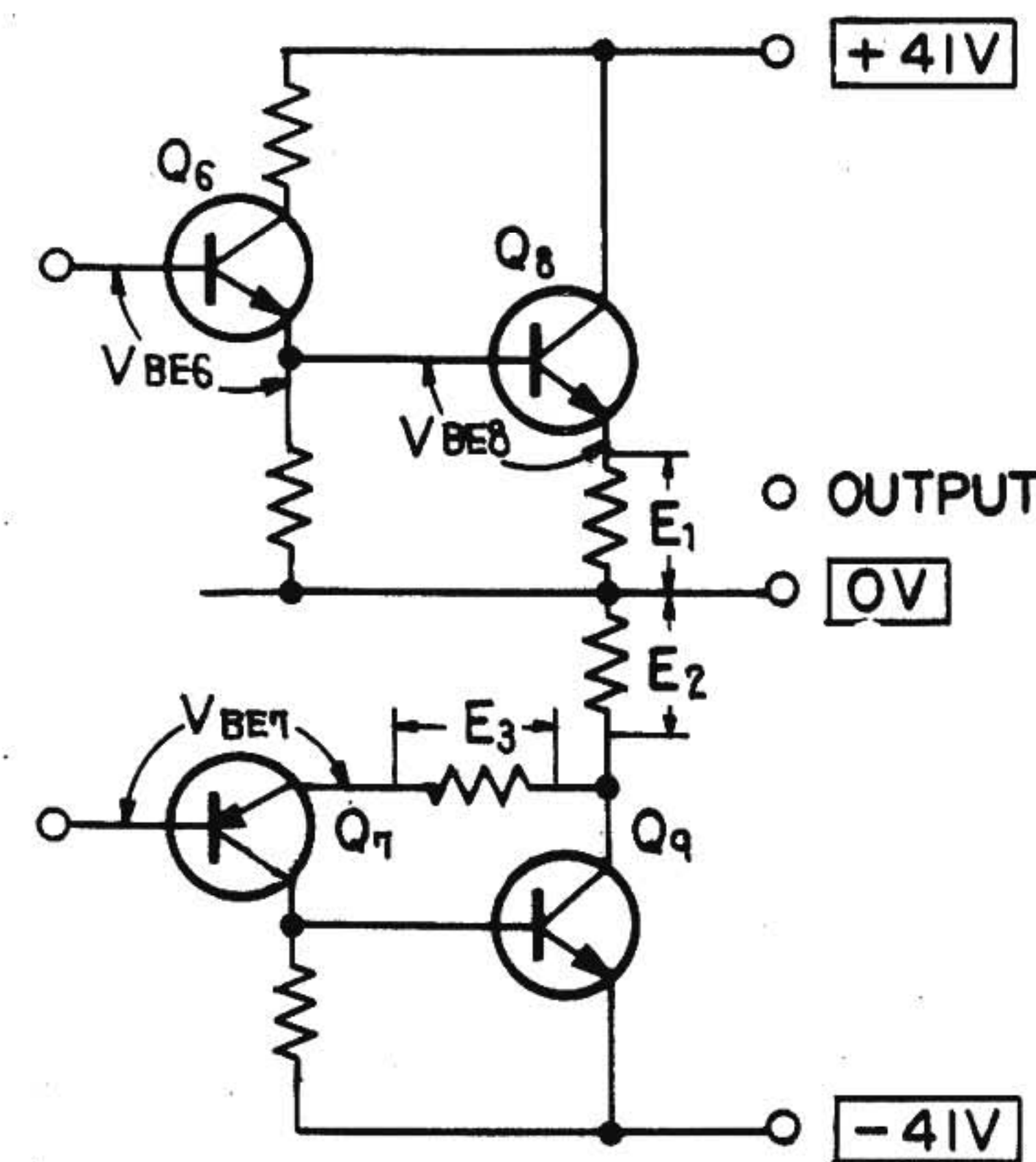


Fig. 6

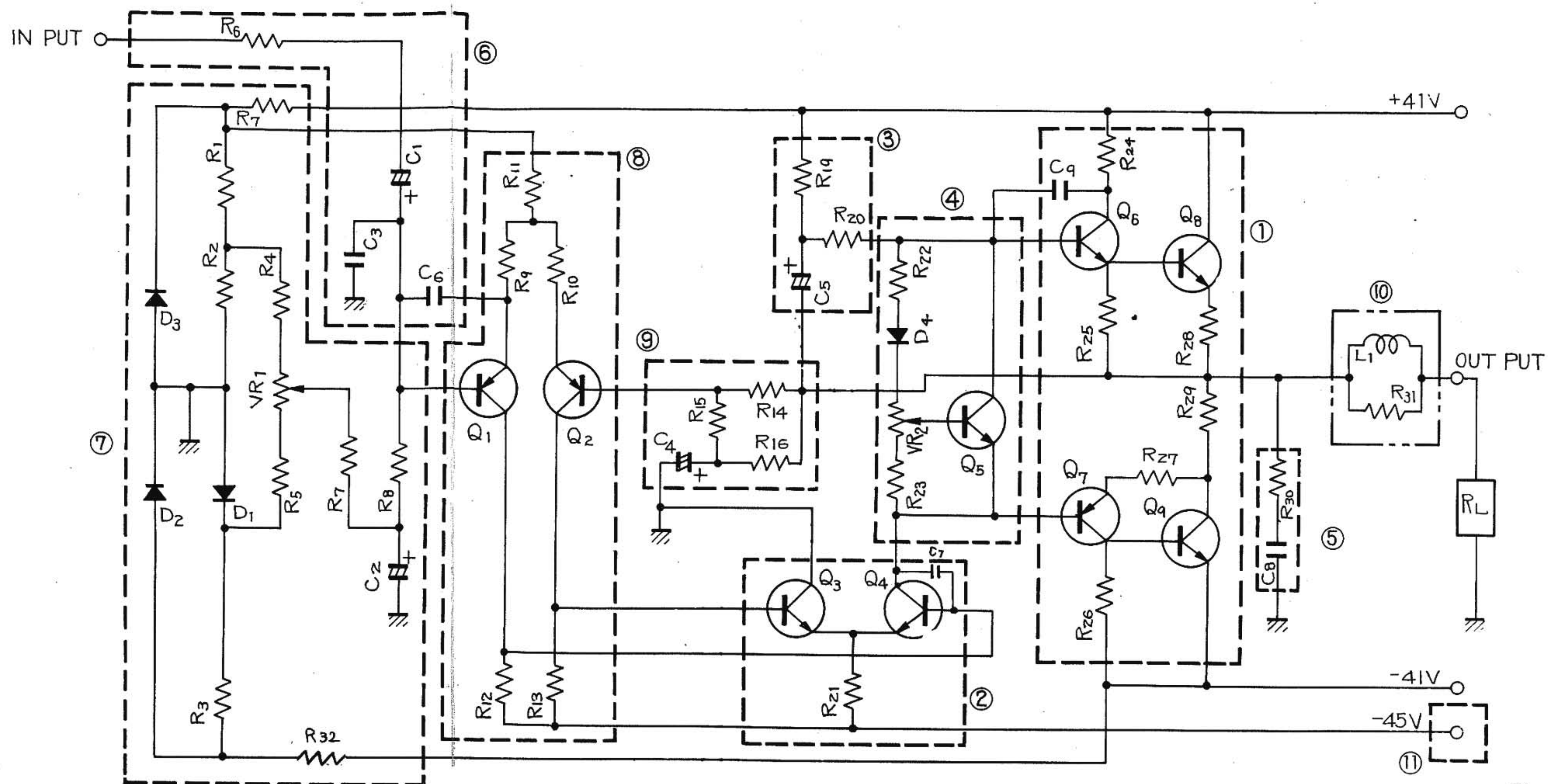


Fig. 1

3-2. DC BIAS APPLY CIRCUIT (Block 4)

As shown in fig. 6, the total bias voltage is composed of the current through R22, D4, VR2, R23 and the collector current of Q4 which flows through Q5 (which is parallel to the above R22-R23 stretch).

The internal resistance of Q5 becomes close to infinite when the slider of VR2 is moved towards R23, because this reduces the bias at Q5. Thereby, the total bias voltage increases. On the other hand, if the slider is moved towards D4, the internal DC resistance of Q5 drops, and consequently the total bias is also reduced.

Adjustment of the total bias is chiefly determined by the idle current of Q8 and Q9 (i.e. the collector current at no signal). The reference value for this idle current is 100 mA.

The purpose of Q5 in this bias circuit is to compensate automatically for bias changes caused by temperature fluctuations. In addition, D2 helps to stabilize the bias of Q5.

3-3. DRIVE AMPLIFIER

(Blocks 2, 3, 4)

The Darlington connected final output stage operates as an emitter-follower with unity gain. The effective value of collector load R20 is greatly increased by bootstrap positive feedback through C5.

Fig. 7 shows the relation between driver and power amplifier in a simplified form. The input between base and emitter of Q6 and Q7 is the voltage across R20, because the return from R20 is connected to the emitter of Q6 and Q7 through C5. Also, the voltage gain in the total circuit can be increased, as the return point of R20 has the same high potential as the output signal. The use of a differential amplifier (made up of Q3 and Q4) has two effects: stability against temperature fluctuations is improved; and through effective use of the reverse phase output of Q1 and Q2 the total voltage gain can be increased by 6dB.

3-4. DC NEUTRAL POTENTIAL STABILIZER (Blocks 7, 8)

Fig. 8 is a simplified illustration of the DC loop circuit which, by means of Q1 and Q2, arrests the DC voltage at the signal output terminals at 0V level.

The supply voltage to the differential amplifier formed by Q1 and Q2 is first stabilized by the Zener diodes.

D3 and D2 so that no fluctuations can be caused by instabilities in the AC line voltage. The DC potential applied to the base of Q1 is regulated by VR1 and D1 in such a way that

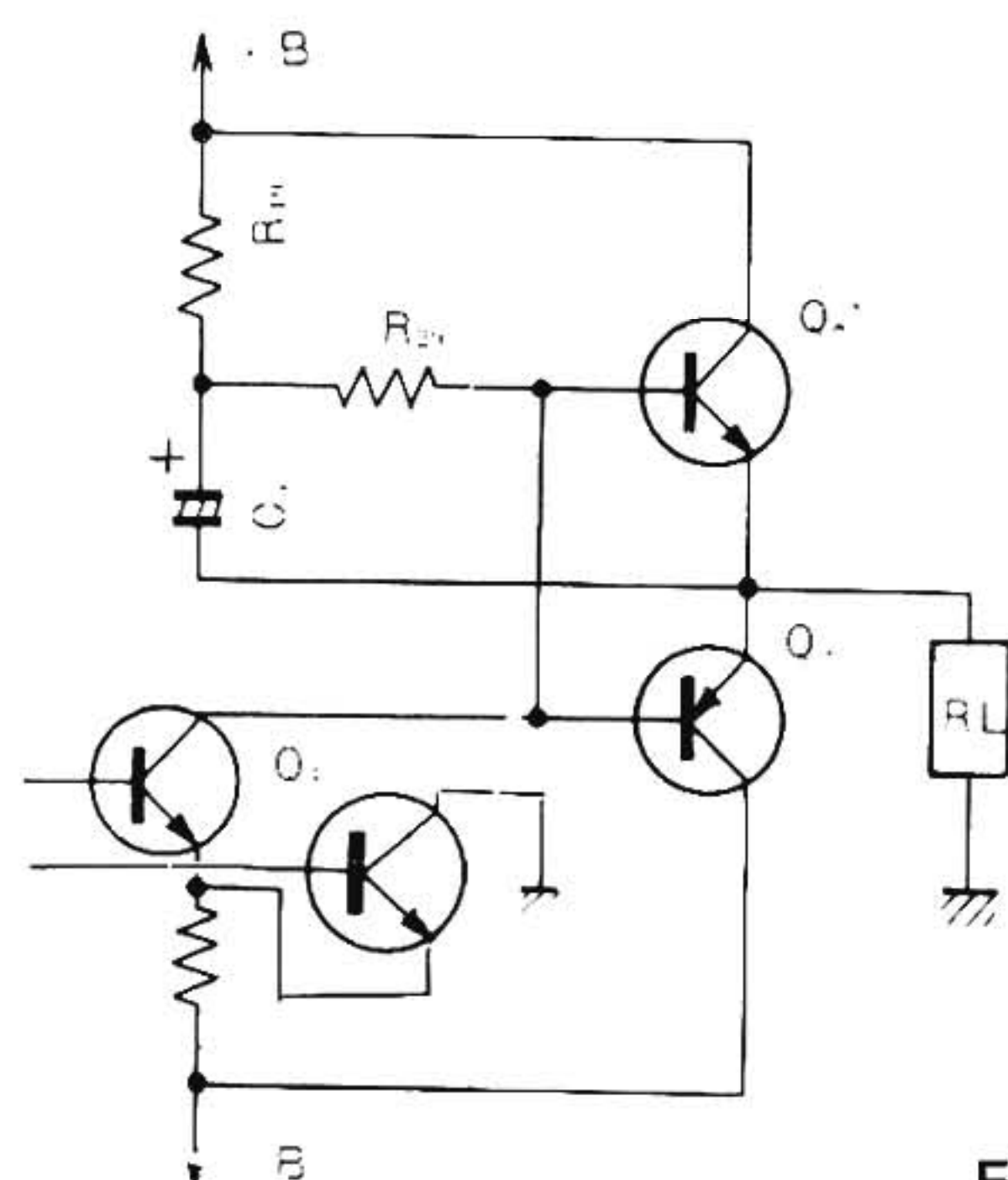


Fig. 7

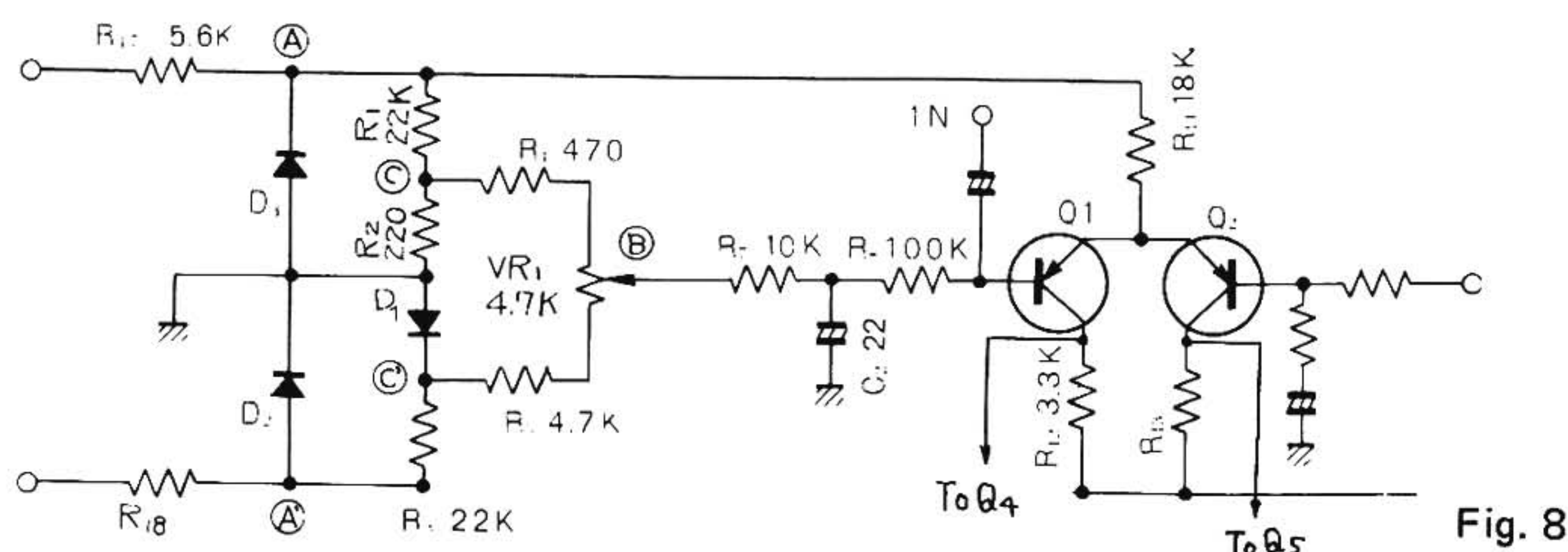


Fig. 8

the DC potential (B') at the base of Q2 remains 0V — in other words, stabilization. If some undesirable DC voltage is present at (B'), the difference between these two base potentials becomes the effective input for the differential amplifier, whereby the DC voltage between the collectors of Q1 and Q2 is changed. This — changed — DC voltage changes the collector current of the next-stage differential amplifier Q3 and Q4 which, in turn, changes the bias of the power output stage Q6 — Q9. Thereby, the DC voltage at (B') is regulated back to 0V. This operation is based on the theory of negative feedback for DC, and it requires direct coupling without capacitors for all amplifier stages.

The purpose of D1 in this circuit is to prevent drift of the Q1 base DC potential (the reference voltage) caused by temperature fluctuations.

3-5. SIGNAL NEGATIVE FEEDBACK CIRCUIT

(Blocks 5, 8, 9, 10)

The signal NFB voltage passes through the network of block 9, is divided by R14 and R15, and is then applied to the base of Q2. Appearing at the emitter of Q2, this voltage is applied to the emitter of Q1, cancelling the input at the base of Q1, i.e. acting as negative feedback. The closed loop gain of the amplifier with NFB applied is determined by the ratio $\frac{R_{15} + R_{14}}{R_{15}}$ at frequencies high enough for the impedance of C4 to be negligibly small in comparison with R15. With the values as given in the circuit described here, this gain is 48, i.e. a voltage gain of 48 times between the base of Q1 and the output terminal.

The network shown in blocks (5) and (10) is a phase compensator which improves stability against changes in the reactive load.

3-6. DC NEUTRAL VOLTAGE DETECTOR (Fig. 9)

The protector circuit, embodied in the protector unit PCB W28-008, consists of two varieties of detectors and a trigger circuit, as shown in fig. 9.

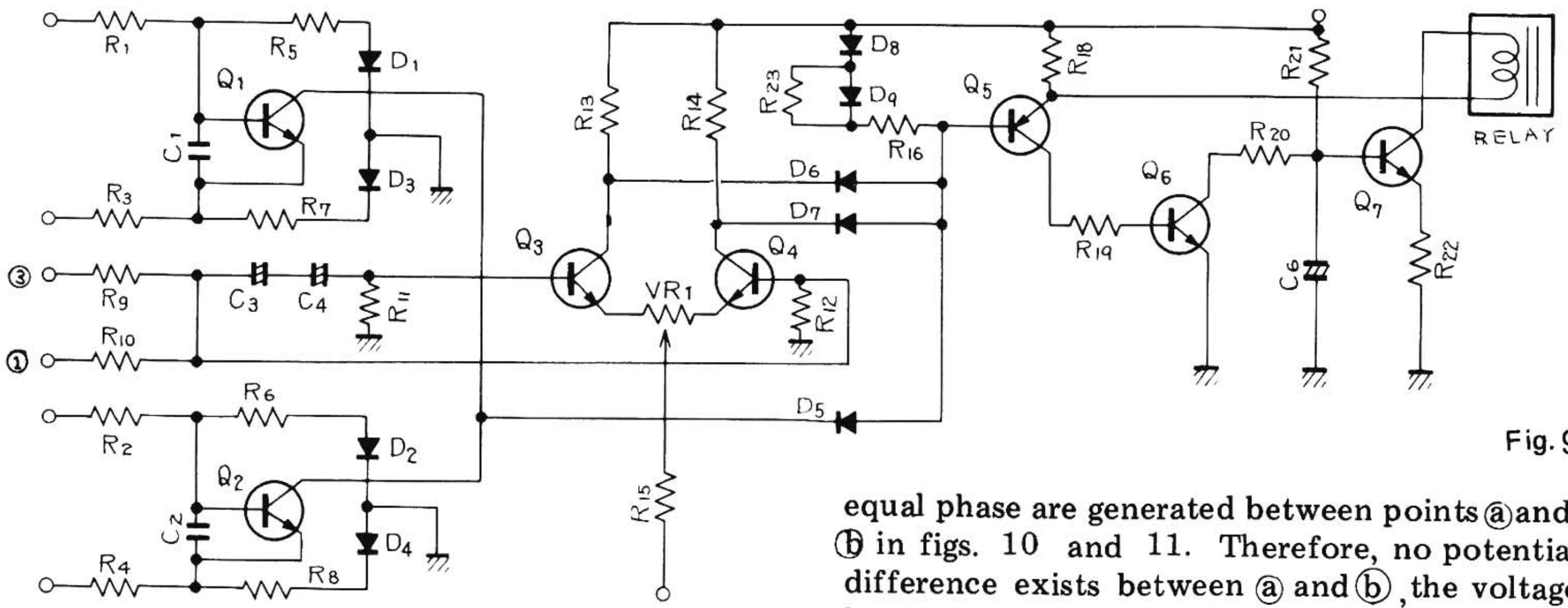


Fig. 9

The trigger circuit acts on both detectors. Its operation is as follows:

The current from the series circuit D8 to R16 lowers the base potential of Q5 below its emitter potential, which makes Q5 and, consequently, Q6 conductive. The collector current from Q6 through R21 lowers the base potential of Q7, and Q7 is cut off. No current flows in the relay, which means the output circuit is opened by the relay contacts.

The DC neutral voltage detector is essentially a differential amplifier formed by Q3 and Q4. This differential amplifier's effective input is the difference between the two inputs. Therefore, any signal input from pin ③ and pin ① is ineffective in this amplifier, but as soon as some DC voltage appears at these pins, the Q4 base has DC potential but the Q3 base circuit stops the DC flow with its capacitors, because DC input is effective in the differential amplifier, thus DC input voltage cause variations of collector current of Q3 or Q4 and serves to turn D6 or D7 on and off, triggering Q5.

3-7. OVERLOAD DETECTOR CIRCUIT

Two conditions can constitute overload: a short circuit (or extremely low impedance) between the output terminals; and a large DC current flow in the chained power transistors.

Fig. 10 shows the detector circuit including the chained power transistors and the output load (RL).

In the case of a static DC overcurrent, a larger voltage will appear across the two 0.5 ohm resistances. When this voltage becomes large enough to make Q1 or Q2 conductive, it will flow through these transistors and activate the trigger for Q5.

Next, let us examine the condition with a signal supplied and the chained transistors delivering power into the RL RL (see fig. 11).

If RL is at or above the specified value, and in case of positive half cycle voltages of

equal phase are generated between points ① and ② in figs. 10 and 11. Therefore, no potential difference exists between ① and ②, the voltage between base and emitter of Q1 is 0V, and Q1 is cut off in the negative half cycle. Points ② and ③ are 0V, as above. If, however, RL drops to 2 ohms or below, the bridge circuit shown in fig. 11 becomes unbalanced within half a signal cycle, a voltage is applied between base and emitter of Q1, Q1 becomes conductive, and Q5 is triggered.

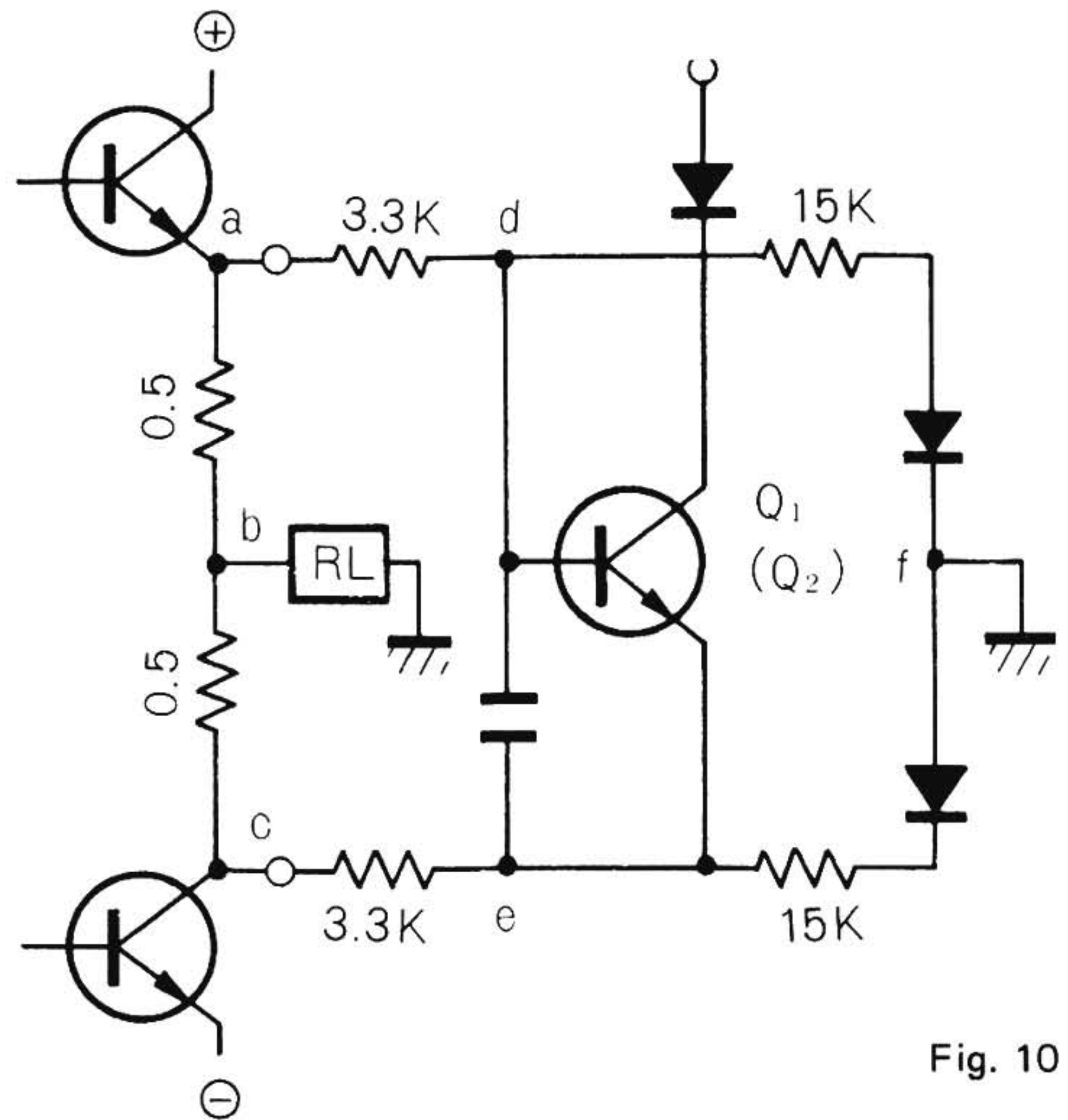


Fig. 10

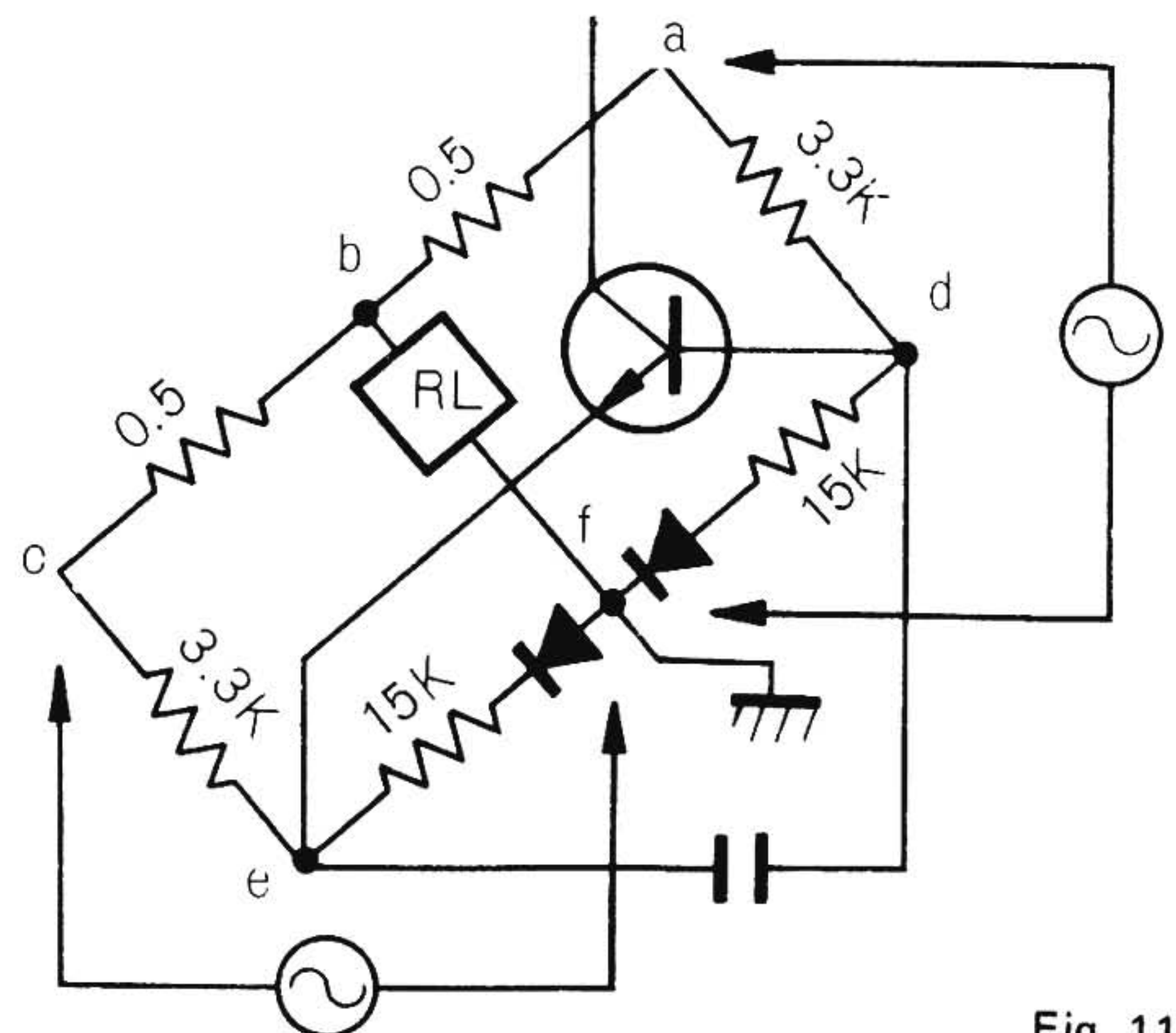


Fig. 11

4. DISASSEMBLY

4-1 REMOVAL OF THE COVER

Remove the two screws from each side of the cover, and pull the cover up.

4-2 REMOVAL OF THE BOTTOM PLATE

Remove the ten screws from the bottom plate. The bottom plate will now come off.

4-3 REMOVAL OF THE FRONT PANEL

Pull all the controls and switches knobs off from the shaft. Remove the nuts and washers from the shaft of the POWER switch, VOLUME control, BALANCE control and SELECTOR switch, and then remove the two screws from the bottom of the front panel. The front panel will now come off.

4-4 REMOVAL OF THE METAL HOUSING

Remove the two screws fixing the main amplifier cover to pull it.

Remove the four screws fixing the shield cover of the head amplifier and control amplifier units and pull the cover.

4-5 REMOVAL OF THE UNITS

When removing the unit, please observe:

1. Do not simply pull unit up to remove, as this may damage hole or fastener boss.
2. Squeeze upper part of fastener with small pliers as indicated by arrows in illustration, then pull unit upward (fig. 12).
3. Fasteners once removed from the chassis can not be used again as then lose strength.

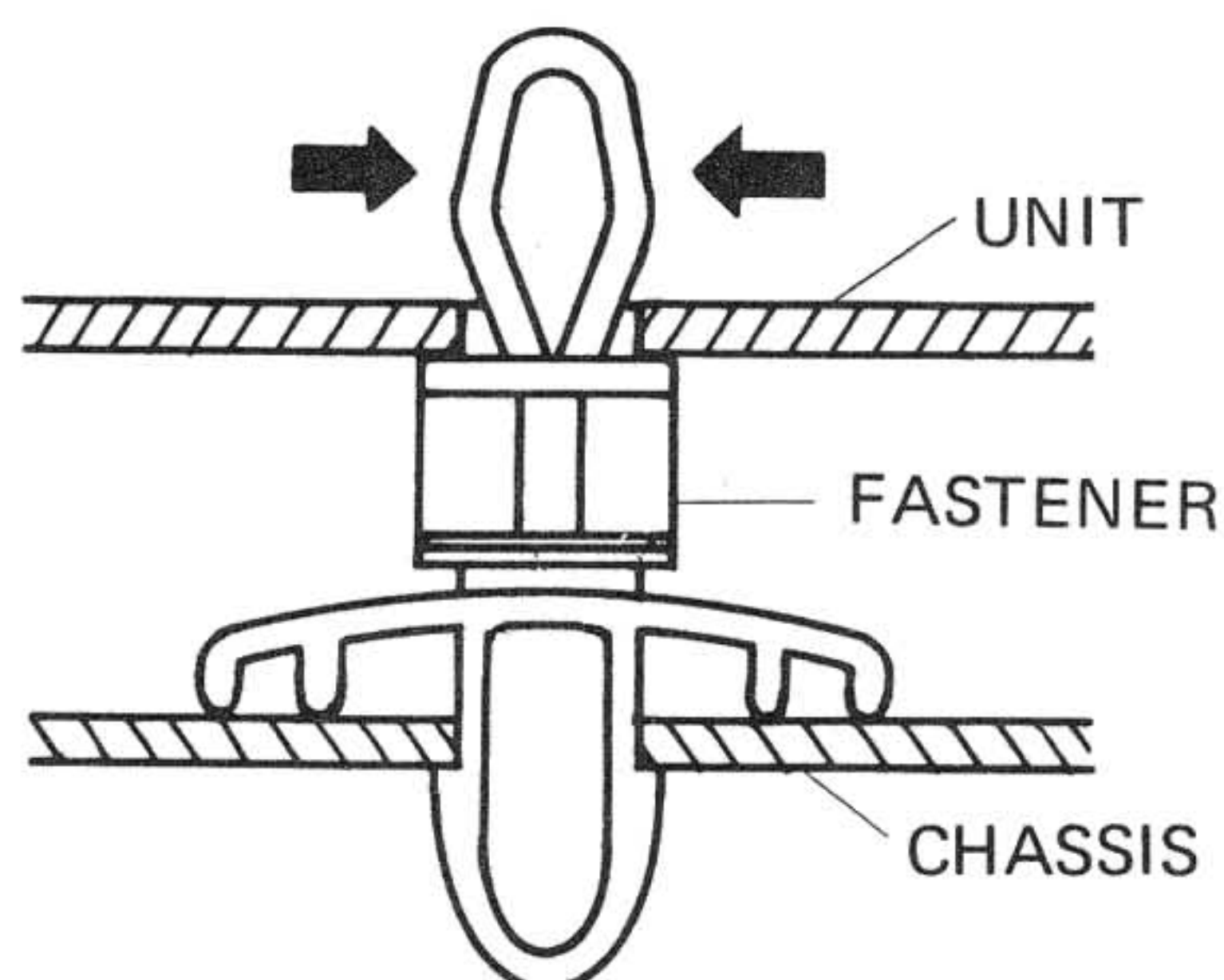


Fig. 12

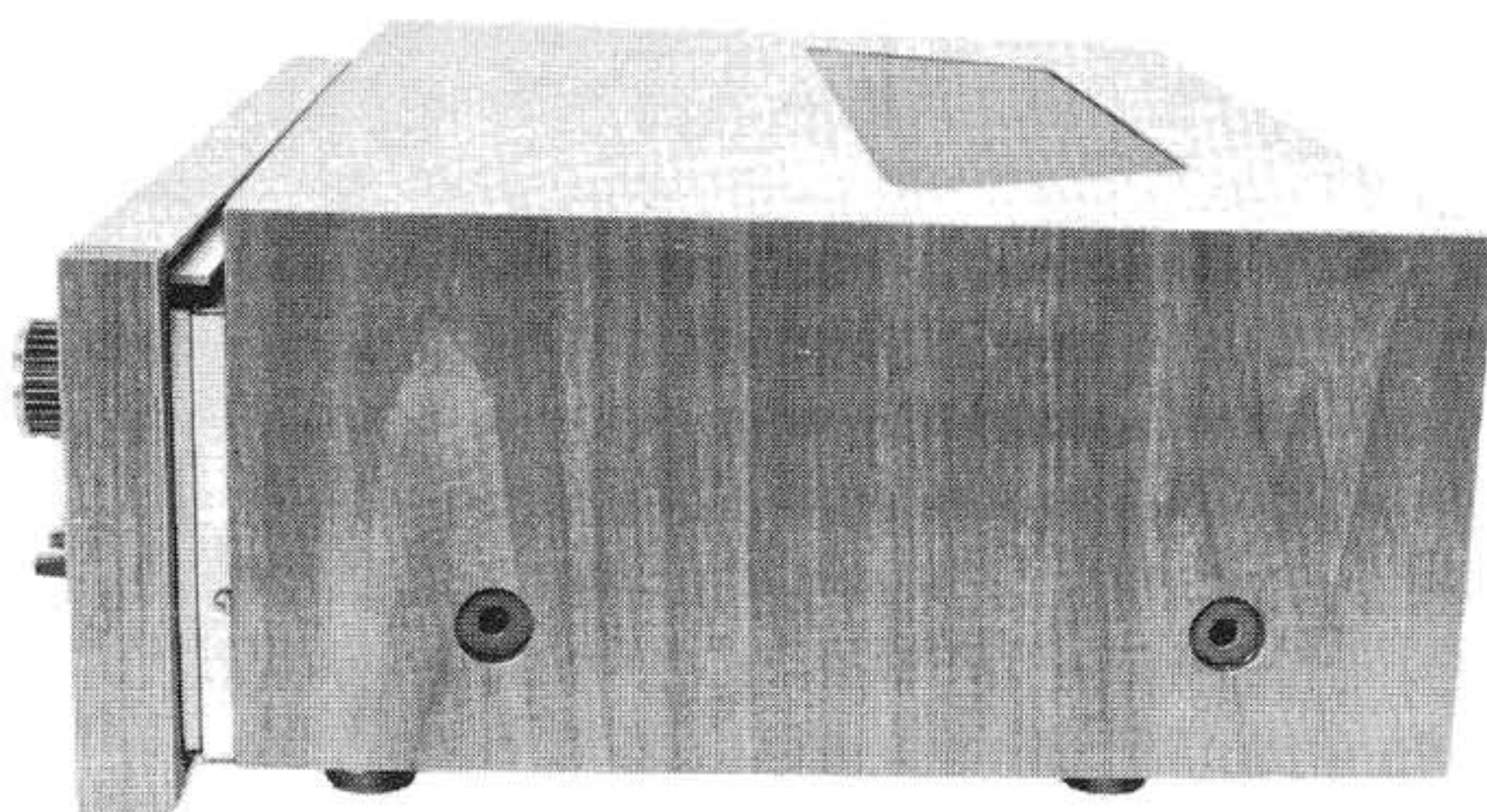


PHOTO 1

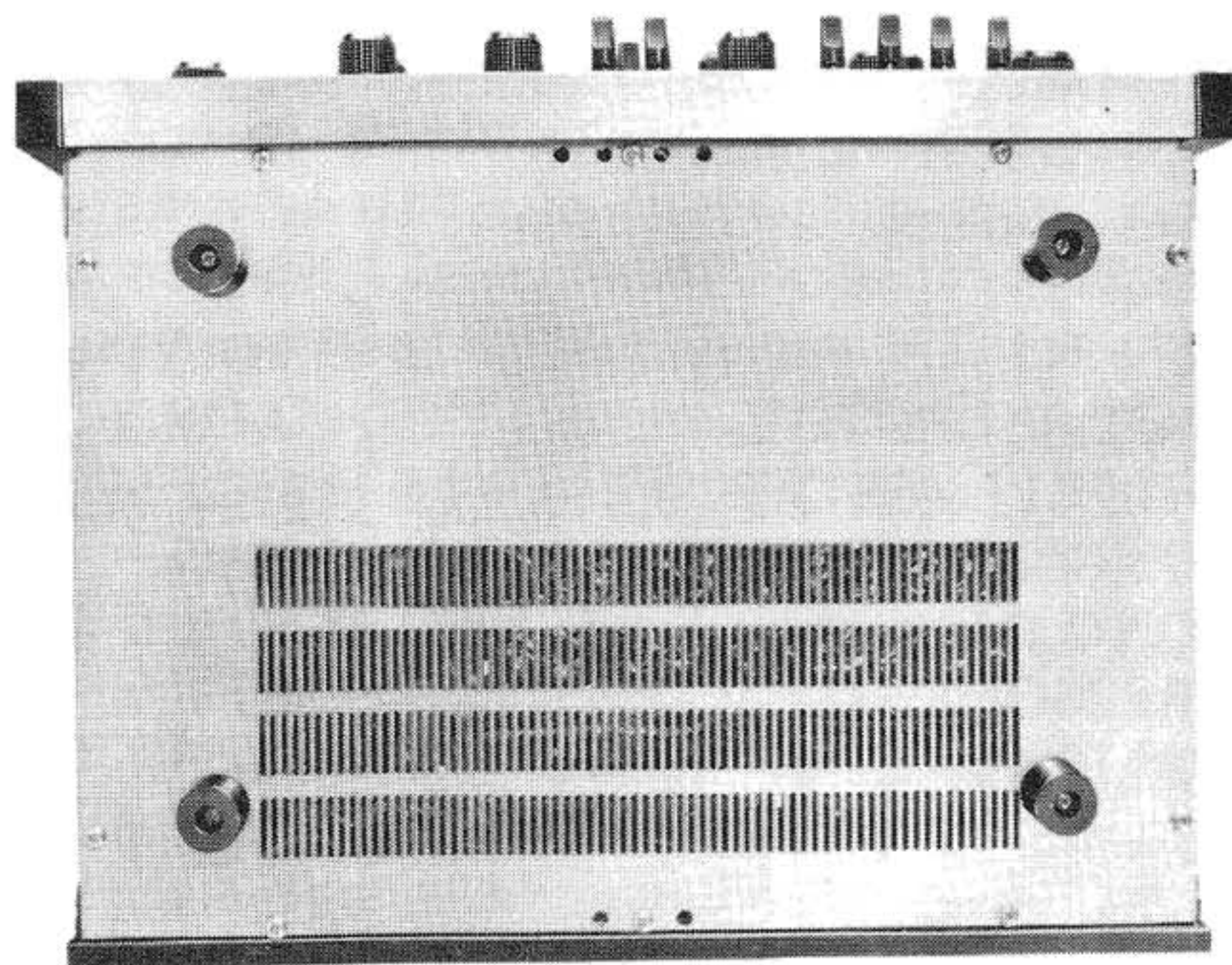


PHOTO 2

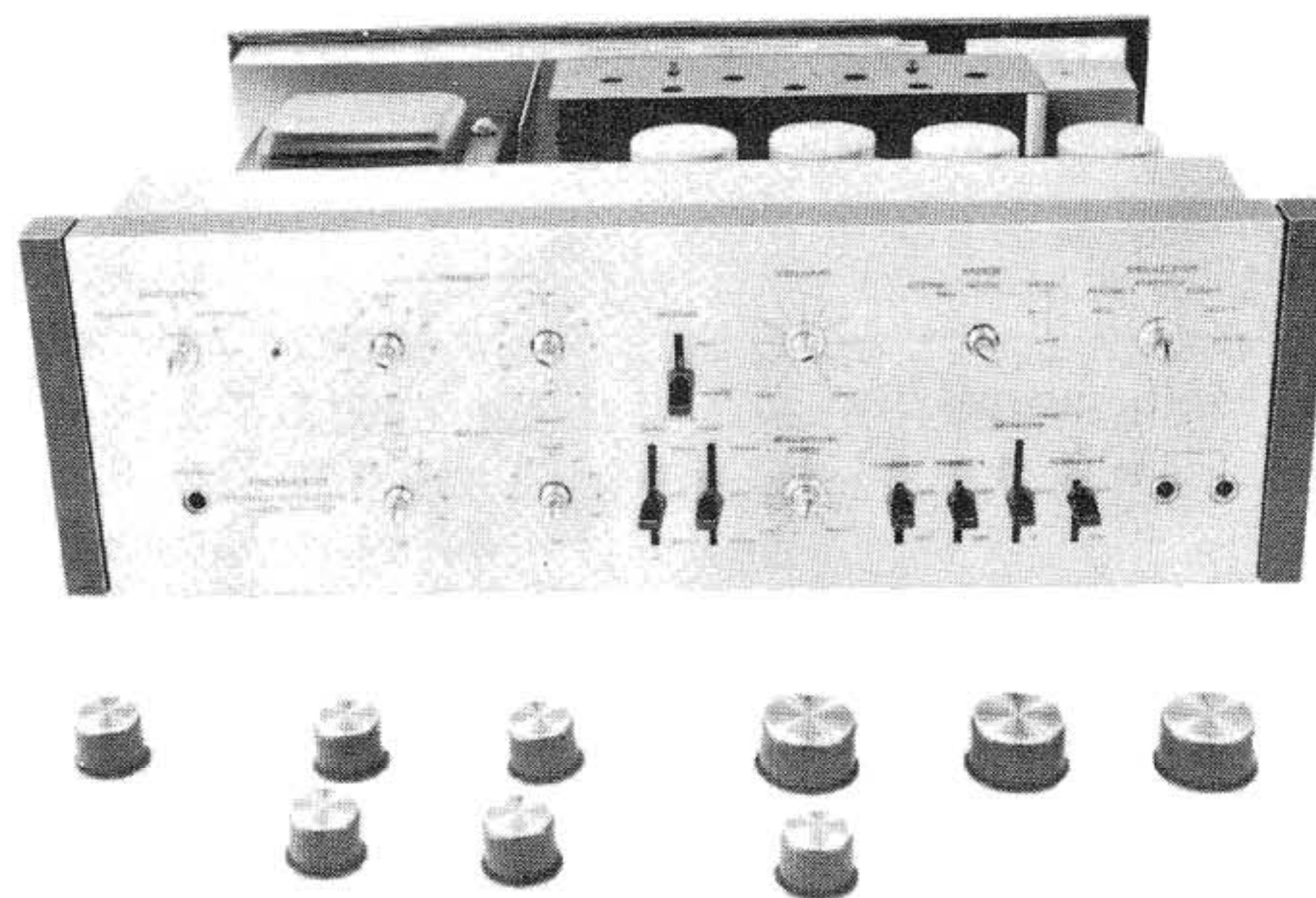


PHOTO 3

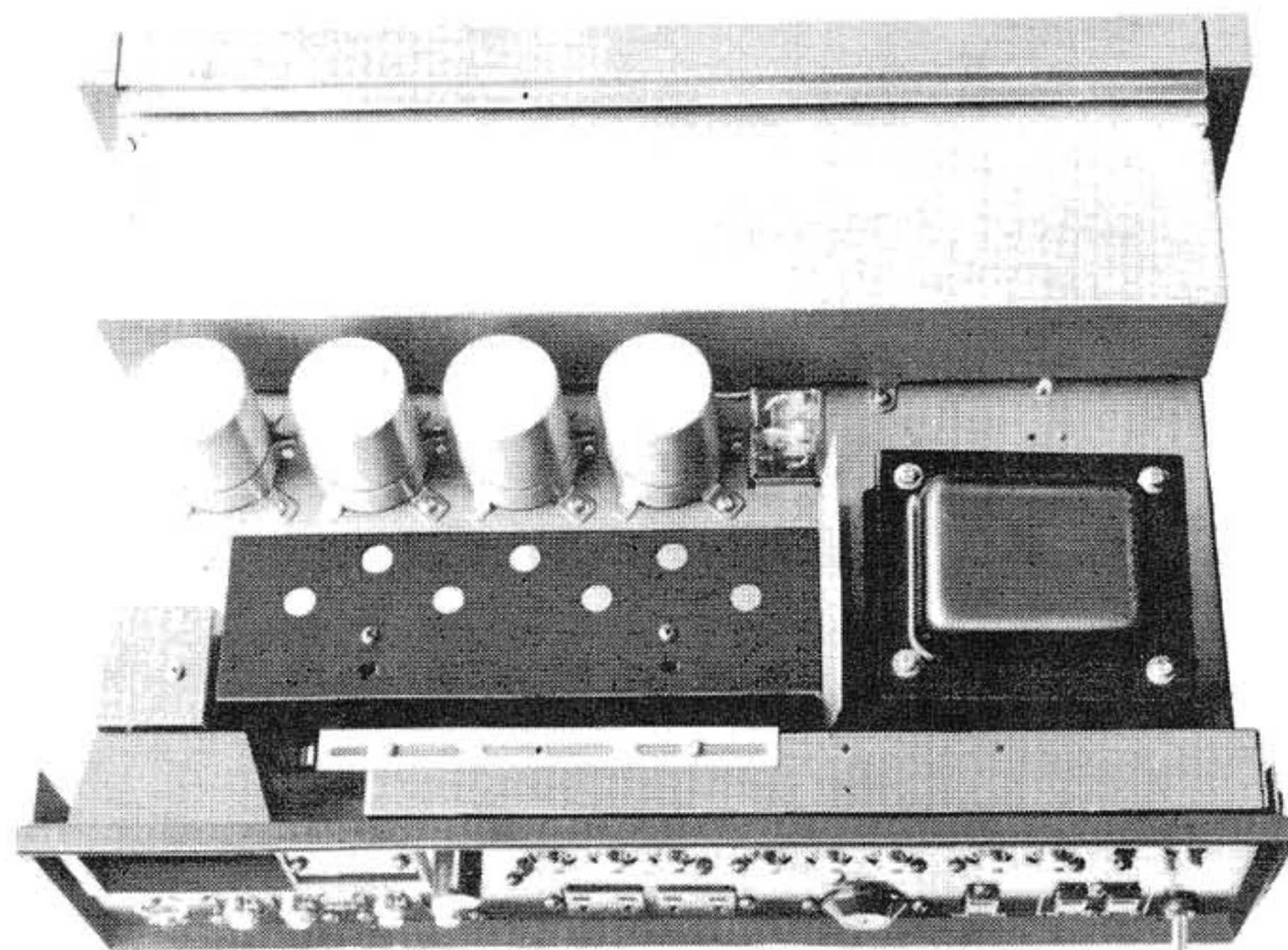


PHOTO 4

5. PERFORMANCE CHECKS AND ADJUSTMENTS

5-1. DC VOLTAGE CHECK

The following checks are basic performance checks of all circuit boards. If the AC line voltage is within $\pm 3\%$ of rated value, all voltages at the checkpoints must be as specified, with a tolerance of $\pm 20\%$. Amplifier and controls must be in the following condition.

- Disconnect all signal inputs and outputs.
- Remove bottom plate and wooden case.
- Remove metal housing.
- Connect 8 ohm/30W dummy loads to each speaker A output.
- Set controls as follows:

CONTROL	POSITION
INPUT SELECTOR	AUX 1
MODE SELECTOR	NORM
PHONO 2 SELECTOR	MM
PHONO IMPEDANCE SELECTOR	50 k Ω
TAPE MONITOR	OFF
DUPLICATE SWITCH	OFF

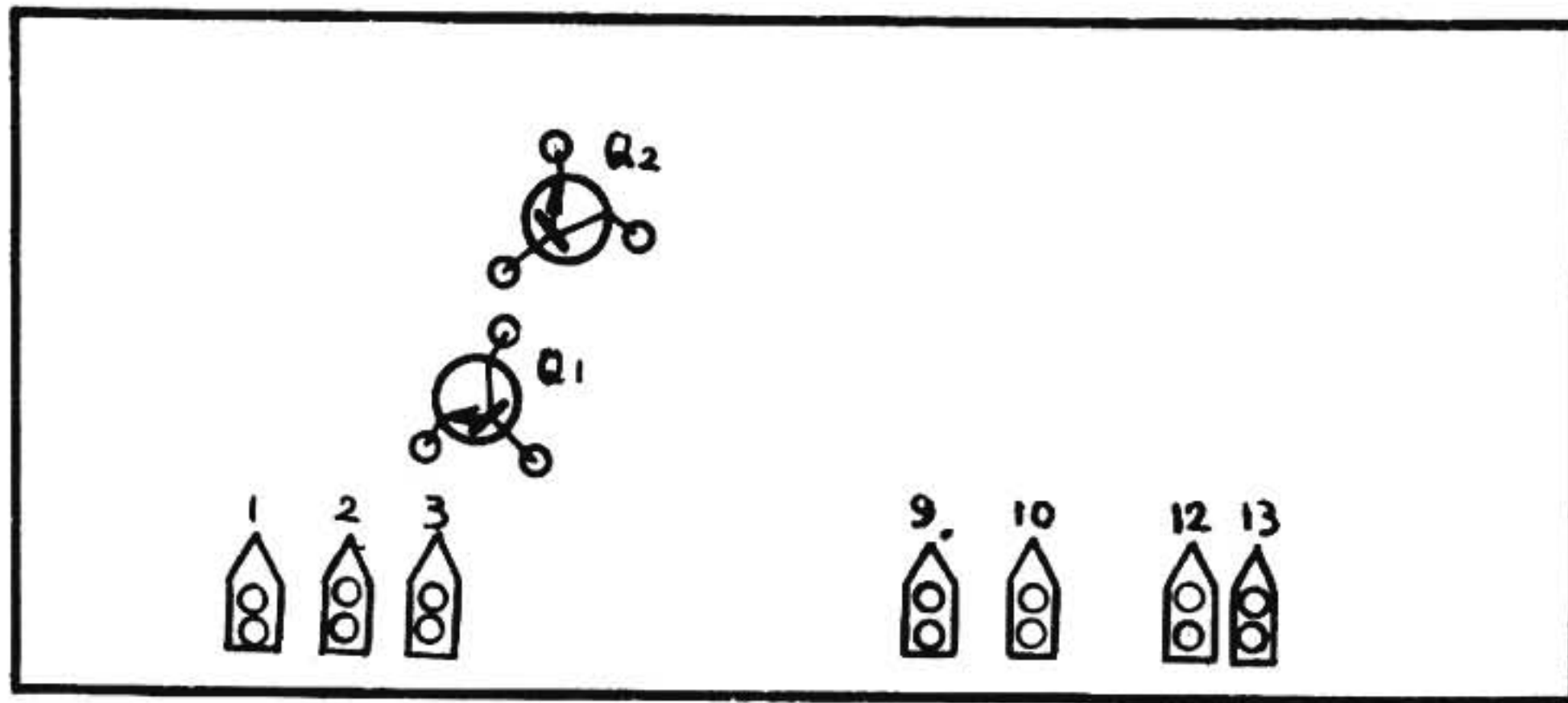
- | | |
|---------------------------|-----------|
| BASS, TREBLE CONTROLS | FLAT |
| LOUDNESS SWITCH | OFF |
| LOW, HIGH FILTER SWITCHES | OFF |
| MUTING SWITCH | 0dB |
| PRE & MAIN SWITCH | SEPARATED |
| BALANCE CONTROL | CENTER |
| POWER & SPEAKER SELECTOR | OFF |
- Connect AC cord to AC outlet.
 - Set POWER & SPEAKER SELECTOR to SPKR A position.
 - Allow a few minutes for amplifier to warm up.
 - Check voltages according to following tables and figures.

Measure voltages with high impedance voltmeter.

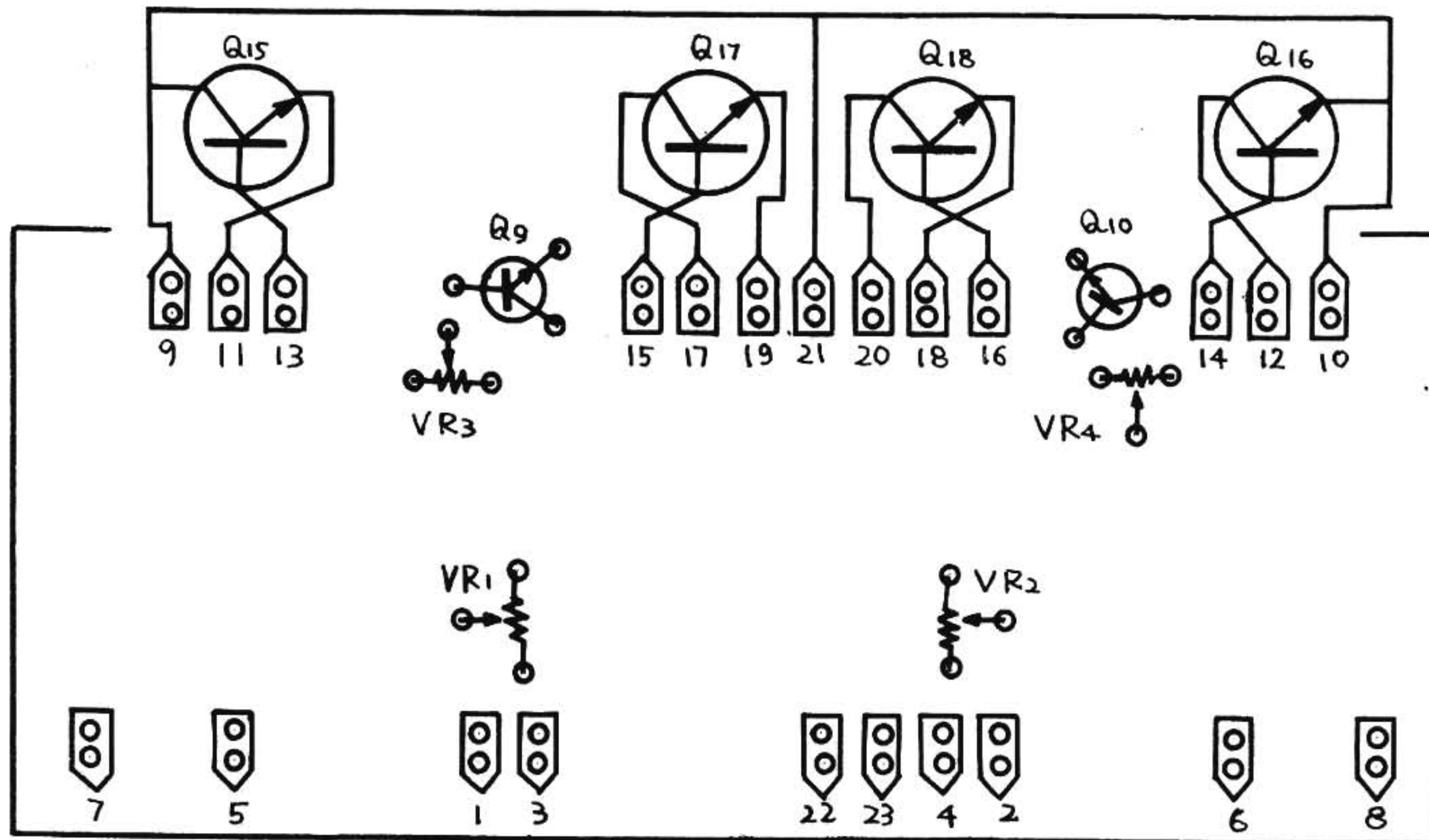
P.C.B. UNIT	CHECKPOINT	TYPICAL VOLTAGES
Power supply (W16-035)	Pin 2 \rightarrow Pin 1 or 13 (GND) Pin 3 \rightarrow Pin 1 or 13 (GND) Pin 9 \rightarrow Pin 1 or 13 (GND) Pin10 \rightarrow Pin 1 or 13 (GND) Pin12 \rightarrow Pin 1 or 13 (GND)	+ 25V + 35V + 43V - 43V - 45V
Main amplifier (W23-008)	Pin 7 \rightarrow Pin 5 (GND) Pin 8 \rightarrow Pin 6 (GND) Pin13 \rightarrow Pin11, Pin15 Pin19 Pin16 \rightarrow Pin20, Pin14 Pin12 Collector \rightarrow Emitter of Q9, Q10	nearly 0V nearly 0V + 0.5 ~ + 0.7V all + 1.8 ~ + 2.2V all
Protector (W28-008)	Pin 7 \rightarrow Pin 8, Pin 6 \rightarrow Pin 5 Q7 emitter \rightarrow Pin 4 TP 1 \rightarrow TP 2	+ 0.1V all 0V 0V
Filter (W28-004)	Q1 collector \rightarrow Pin E Q1 and Q2 emitter \rightarrow Pin E1	+ 20V + 1V
Control amplifier (W15-050)	Q5 and Q6 emitter \rightarrow Pin E	+ 17V all
Head amplifier (W21-007)	Q5 and Q6 emitter \rightarrow Pin E	+ 17V all

LOCATION FOR CHECKPOINT (COMPONENT SIDE)

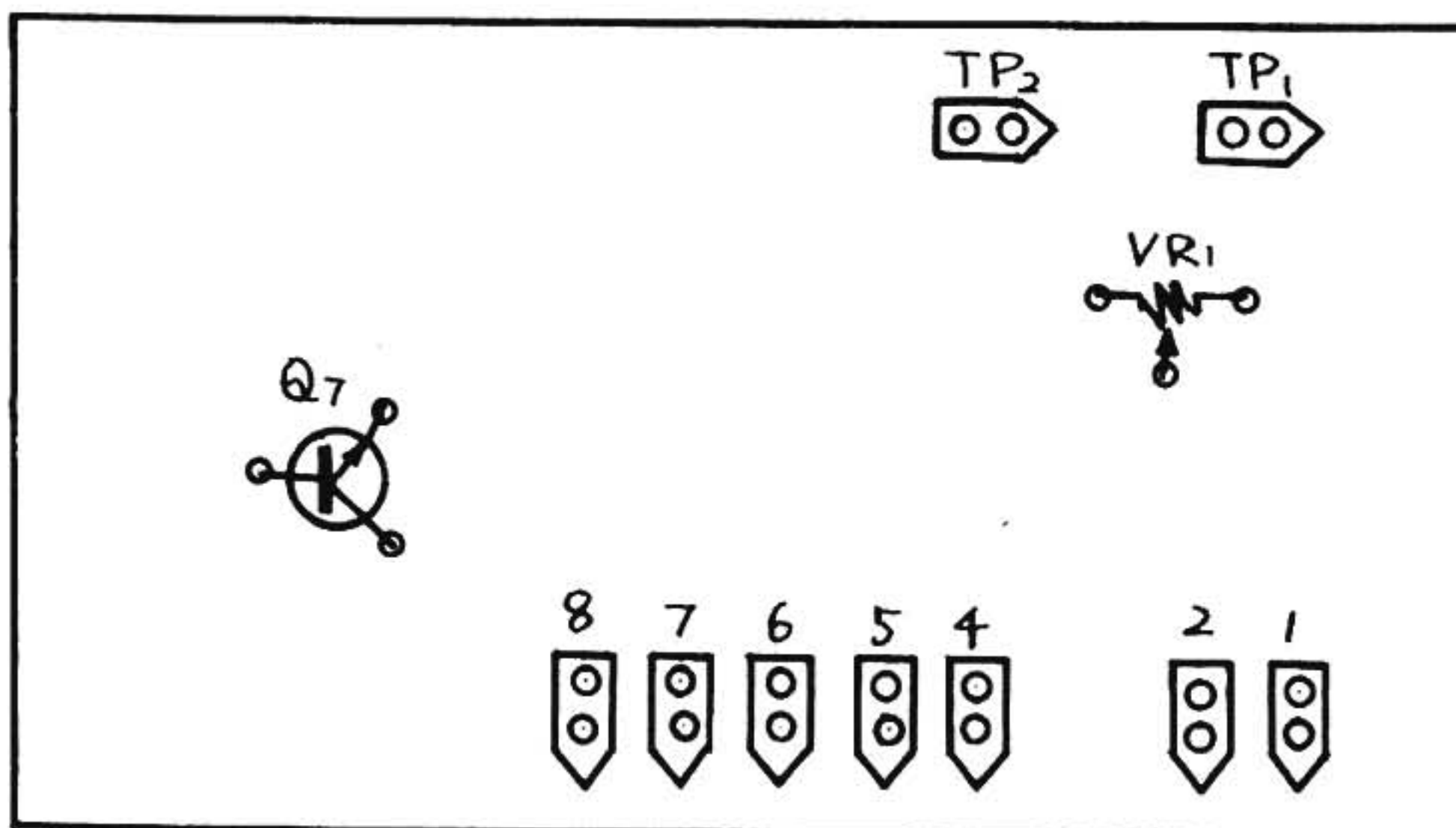
POWER SUPPLY UNIT



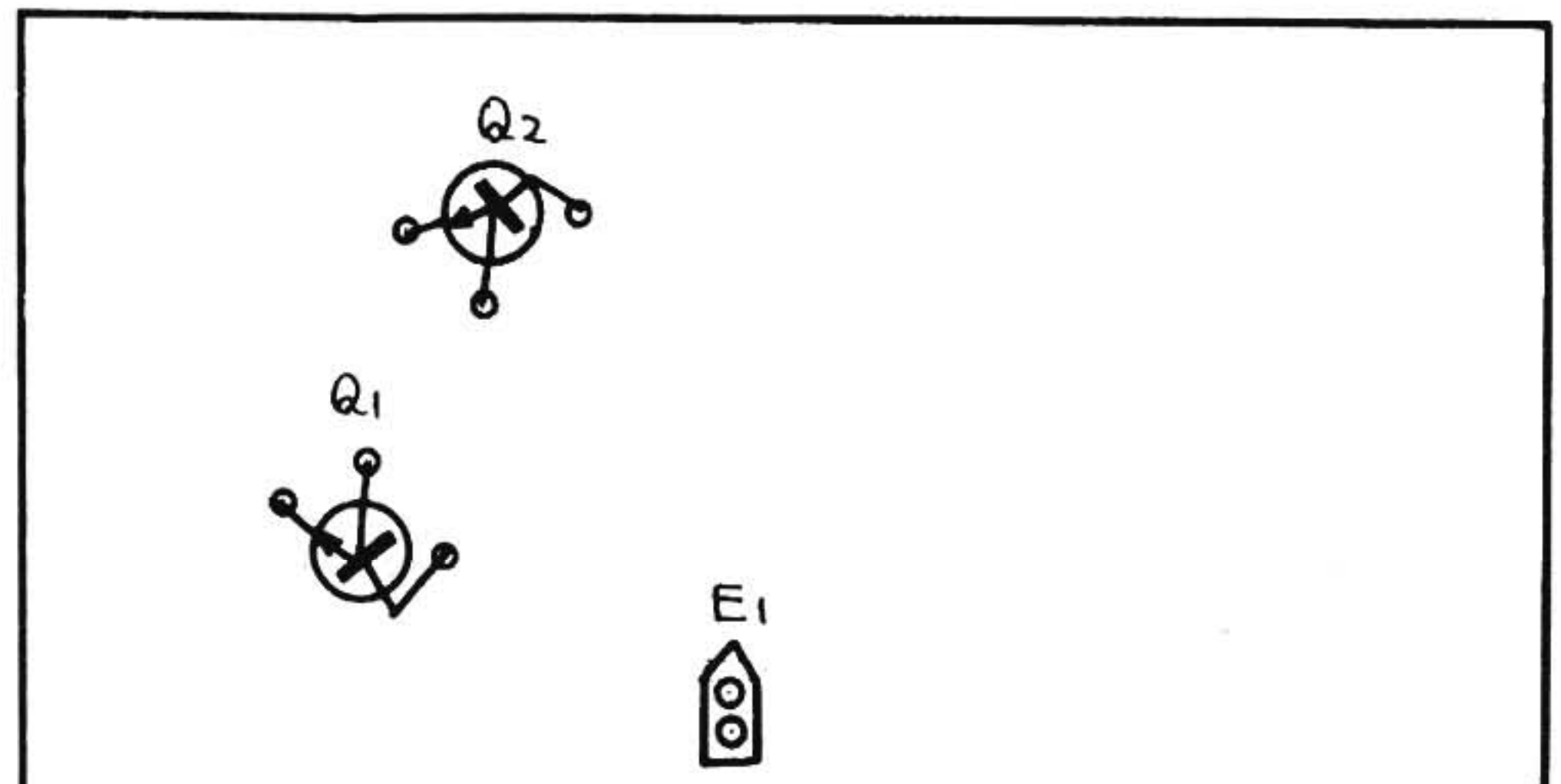
MAIN AMP UNIT



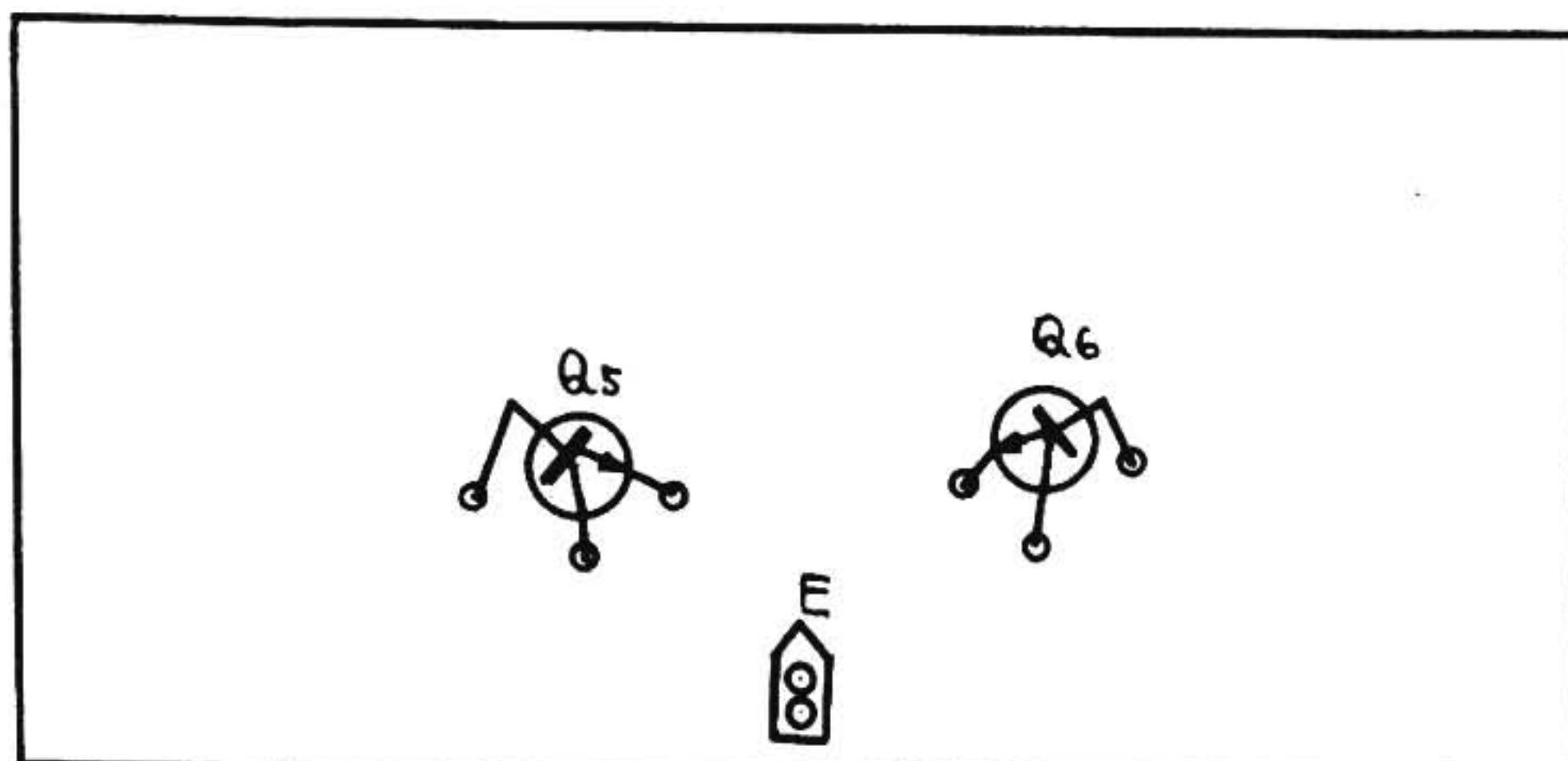
PROTECTOR UNIT



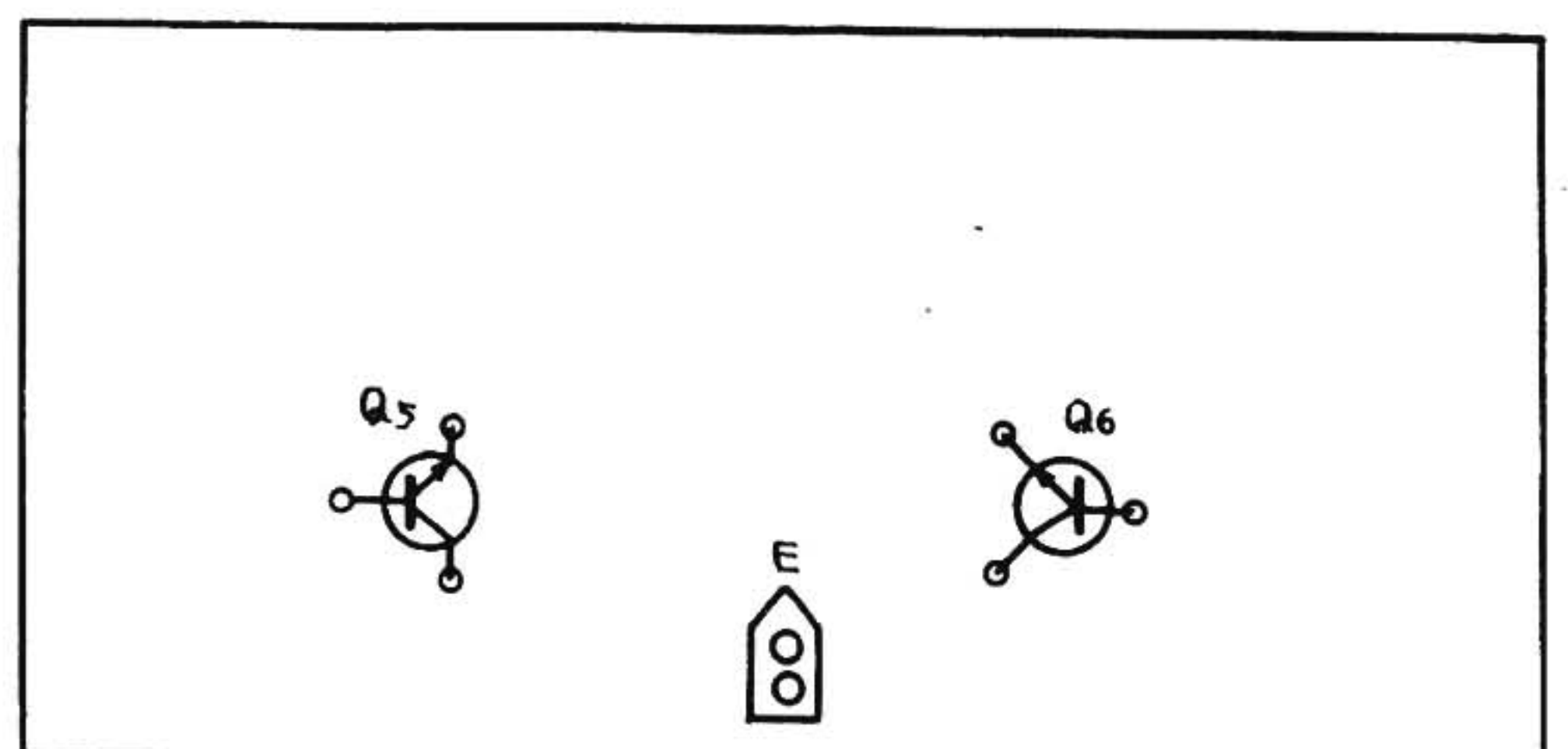
FILTER UNIT



CONTROL AMP UNIT



HEAD AMP UNIT



5-2. DC NEUTRAL VOLTAGE & DETECTOR CIRCUIT ADJUSTMENT (Figs. 13, 14)

The following adjustments are effective in case such as:

Protector cuts off output immediately when power is turned on, without obvious reason,
Clipping distortion at volume peaks,
Smothered sound at low peaks,
although pre-amplifier output is clean.

- a) Set all controls as in 5-1 (e).
- b) Observe relay located at top of chassis. Turn power on. Relay should be activated, without chattering, about 3-5 seconds later.
- c) Disconnect lead wires from pins (1) and (3) on PCB W28-008.
- d) Connect voltmeter between TP1 and TP2 on PCB W28-008.
- e) Adjust VR1 on PCB W28-008 for 0V meter reading.
- f) Re-connect lead wires to pin (3).
- g) Adjust VR1 on main amplifier W23-008 for 0V meter reading.
- h) Re-connect lead wire to pin (1).
- i) Adjust VR2 on main amplifier PCB W23-008 to obtain 0V meter reading.

5-3. IDLE CURRENT ADJUSTMENT (Fig. 14)

- a) Set all controls as in 5-1 (e). Also follow steps (f), (g) and (h) of 5-1.
- b) Set voltmeter to lowest range, connect between pins (11) and (17) on PCB W23-008.
- c) Adjust VR3 to obtain meter reading of $0.1V \pm 20\%$.
- d) Connect voltmeter between pins (12) and (18).
- e) Adjust VR4 as in step (c).

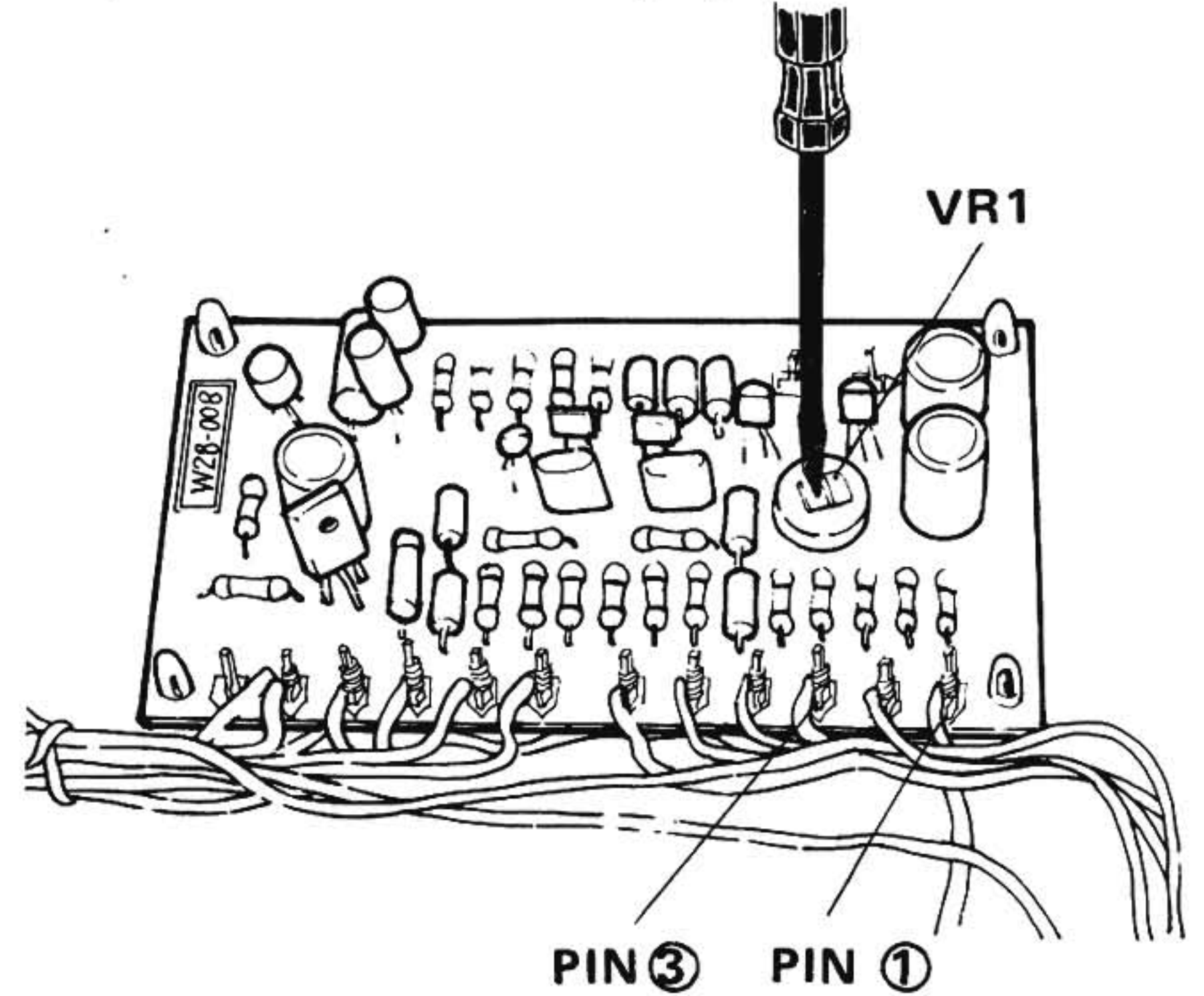


Fig. 13

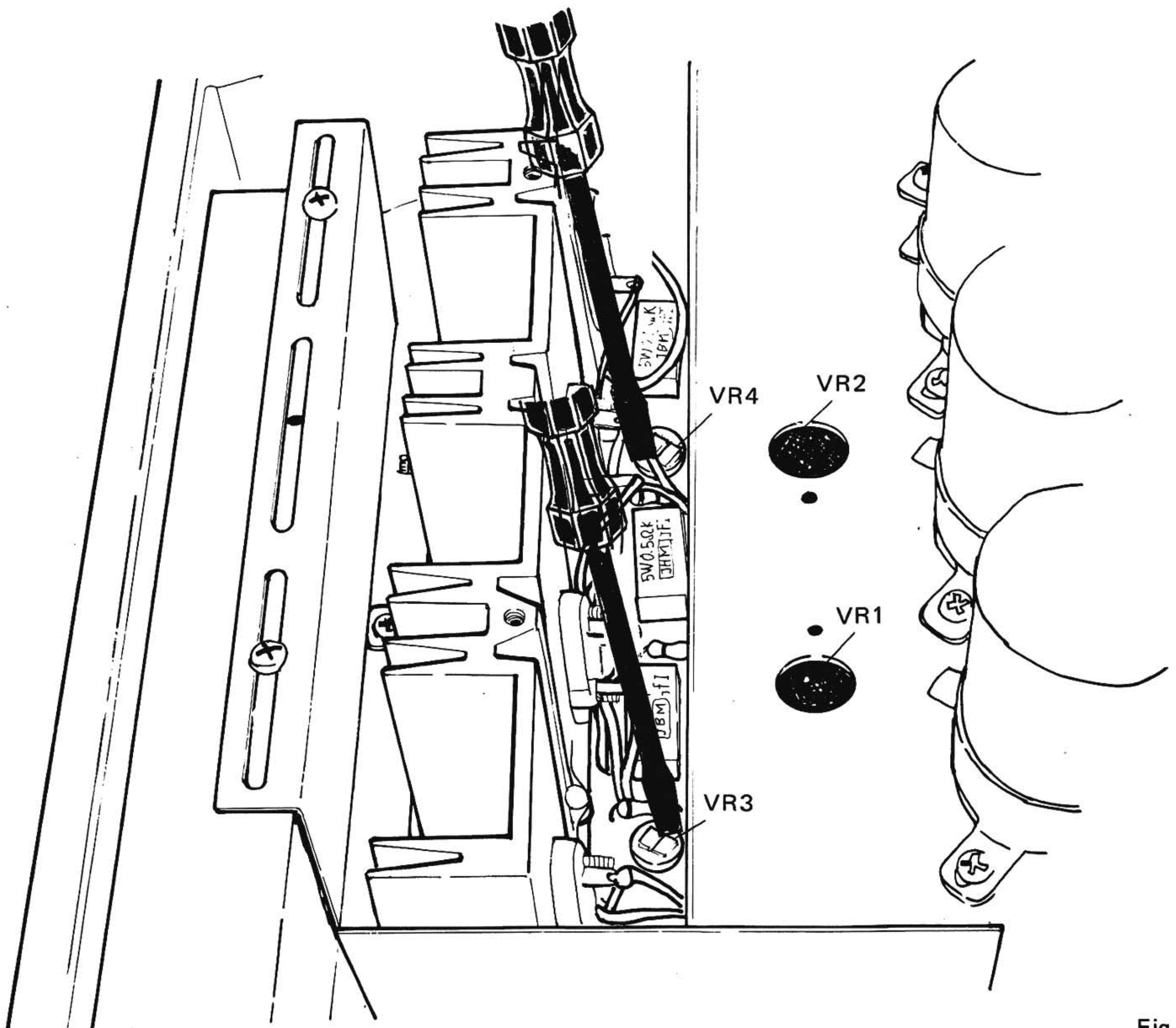
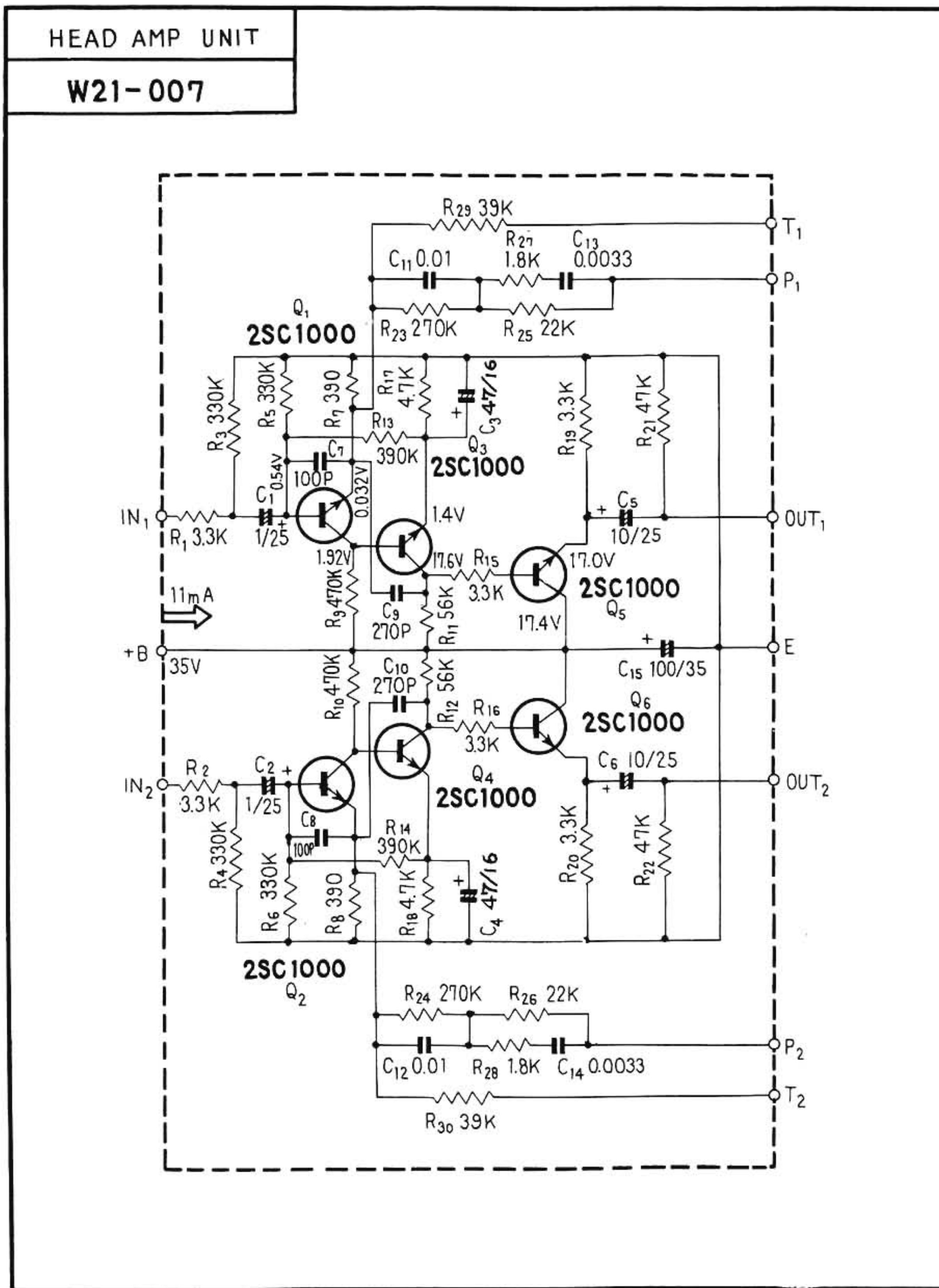
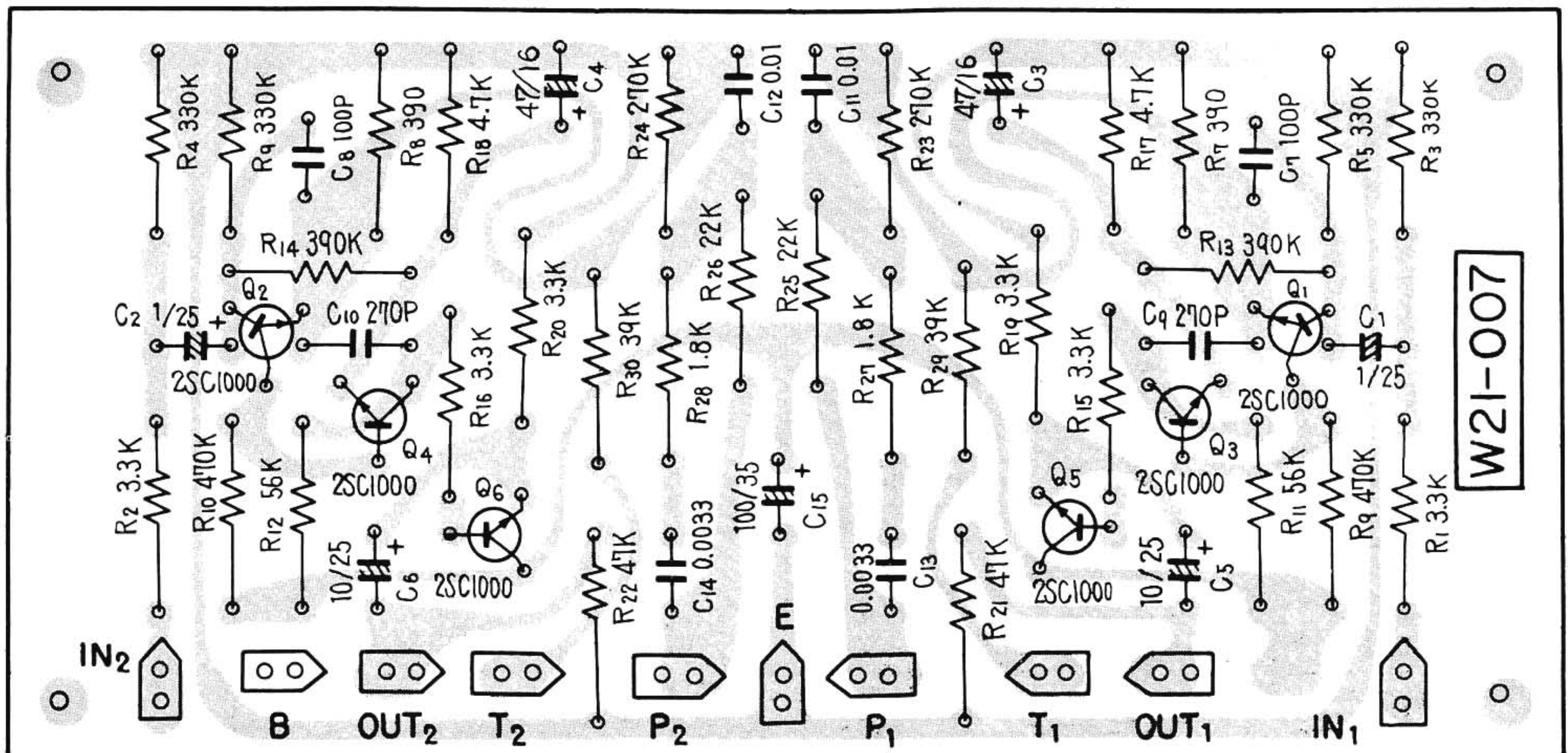


Fig. 14

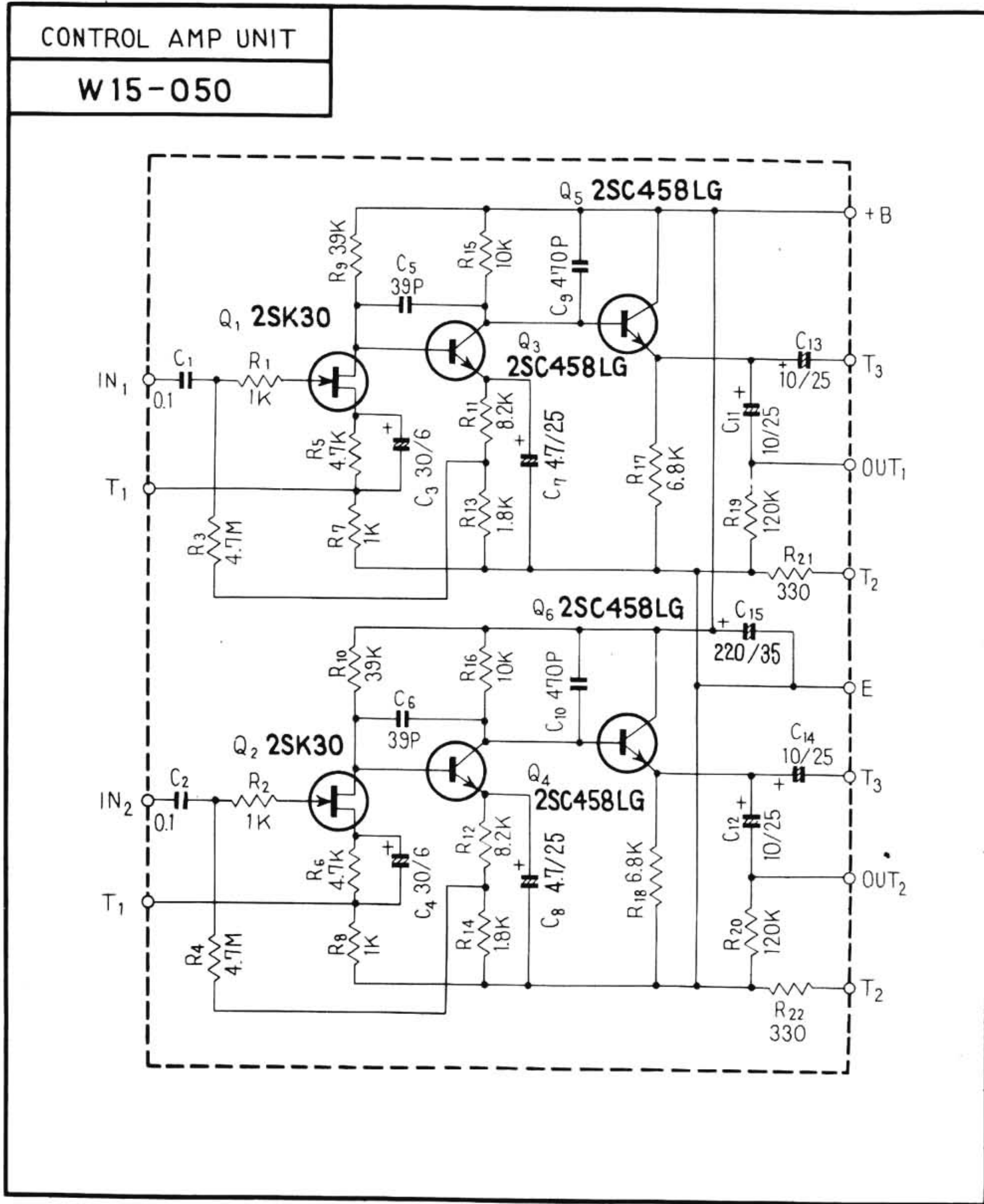
6-2 HEAD AMPLIFIER UNIT (W21-007)



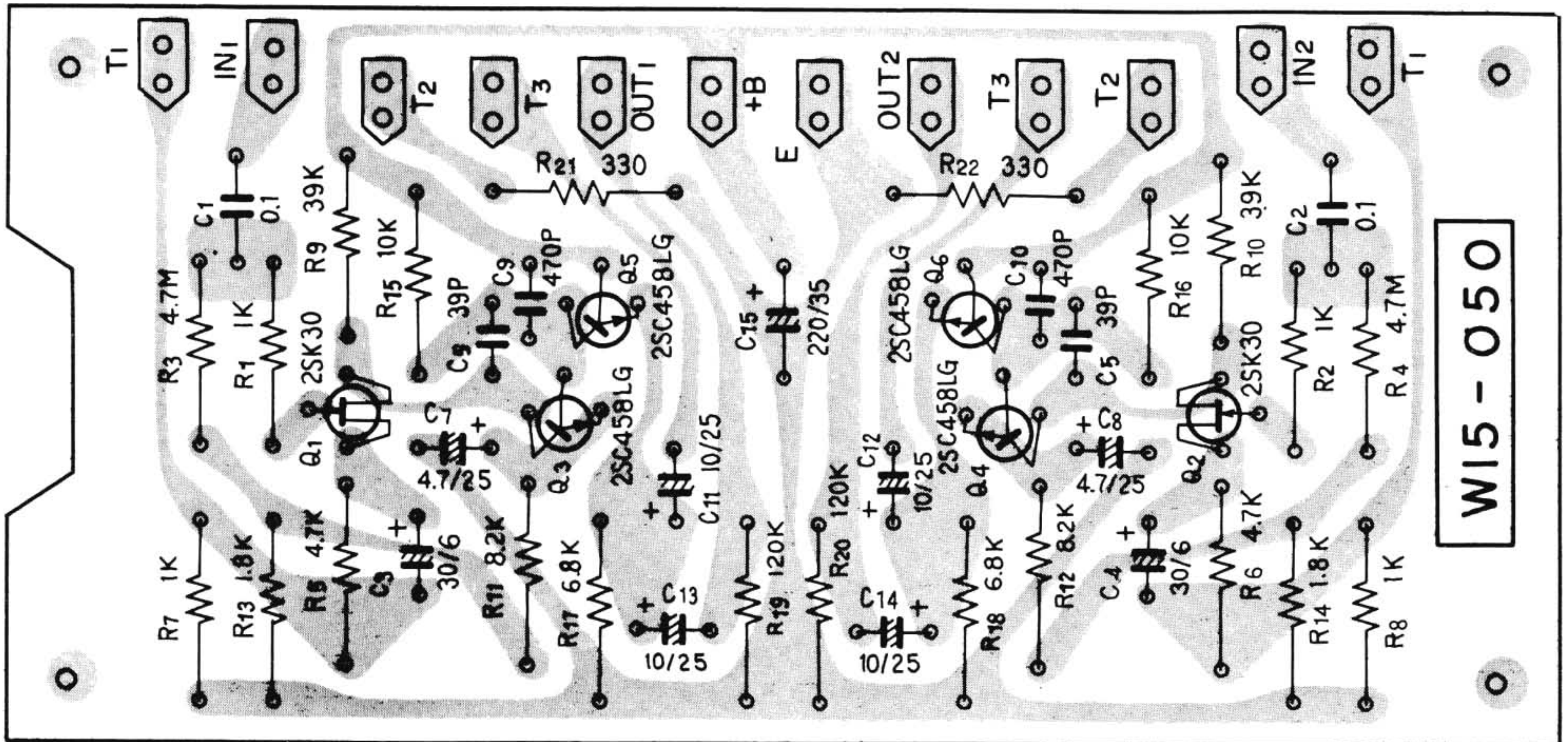
FOIL SIDE



6-3 CONTROL AMPLIFIER UNIT (W15-050)

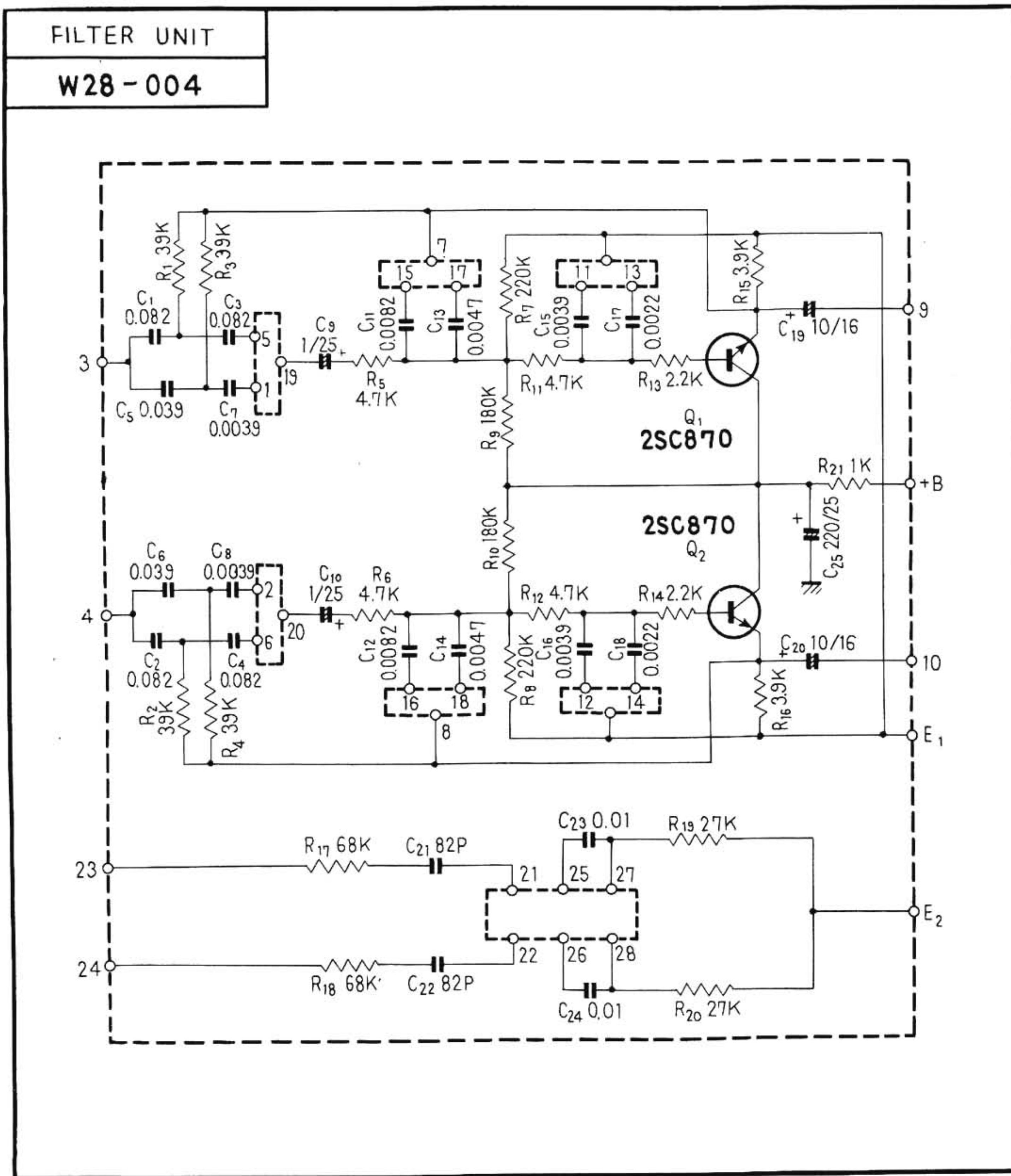


FOIL SIDE

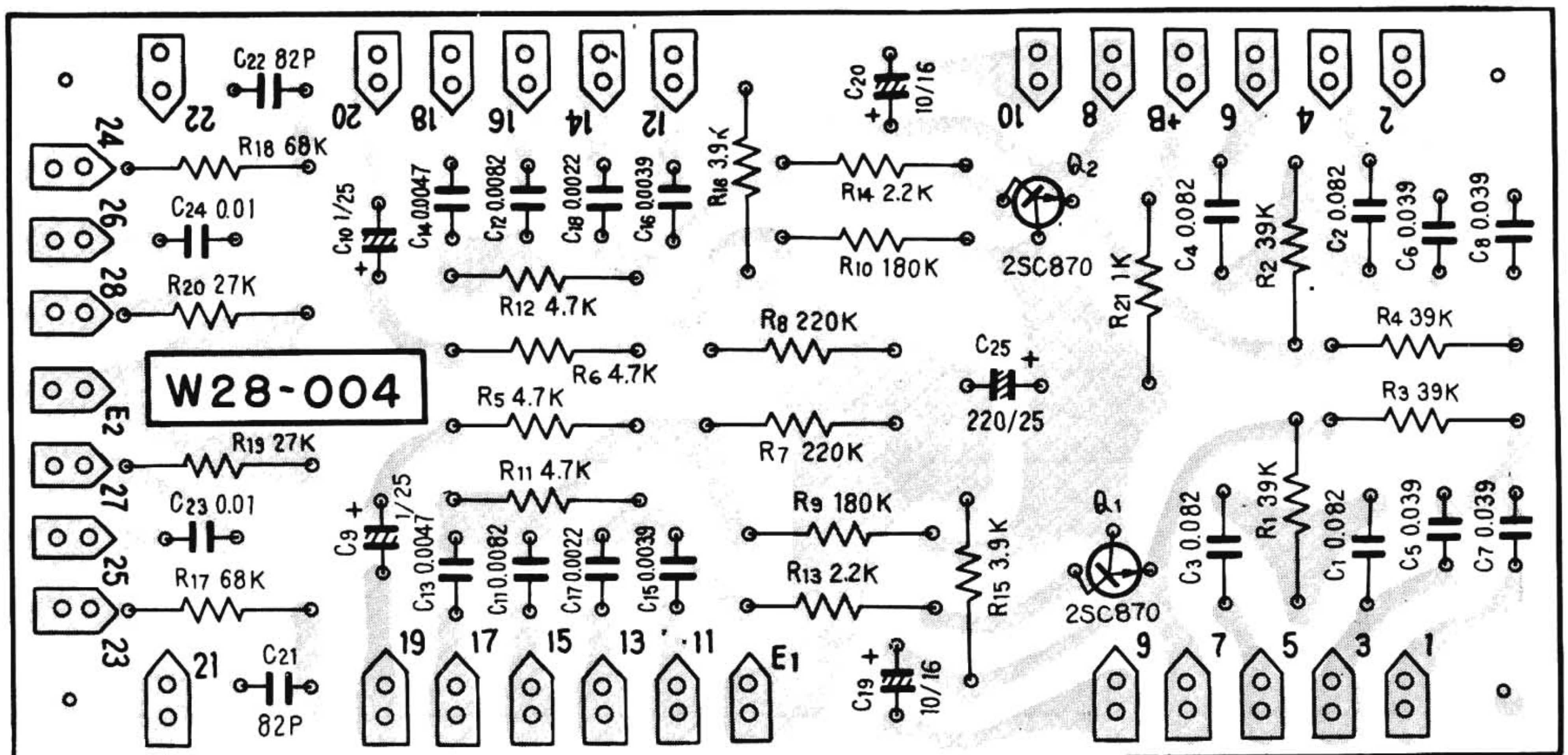


W15-050

6-4 FILTER UNIT (W28-004)

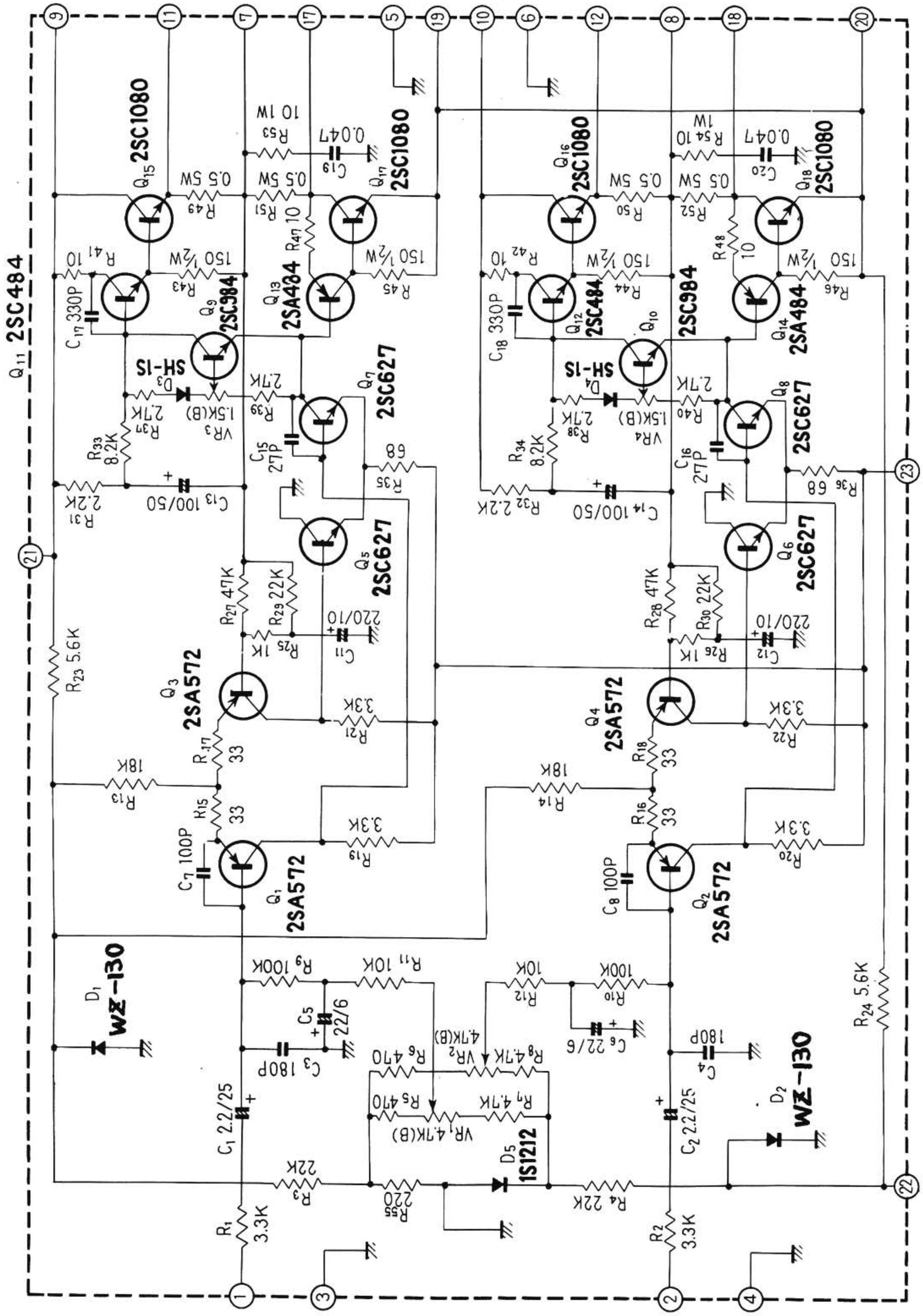


FOIL SIDE

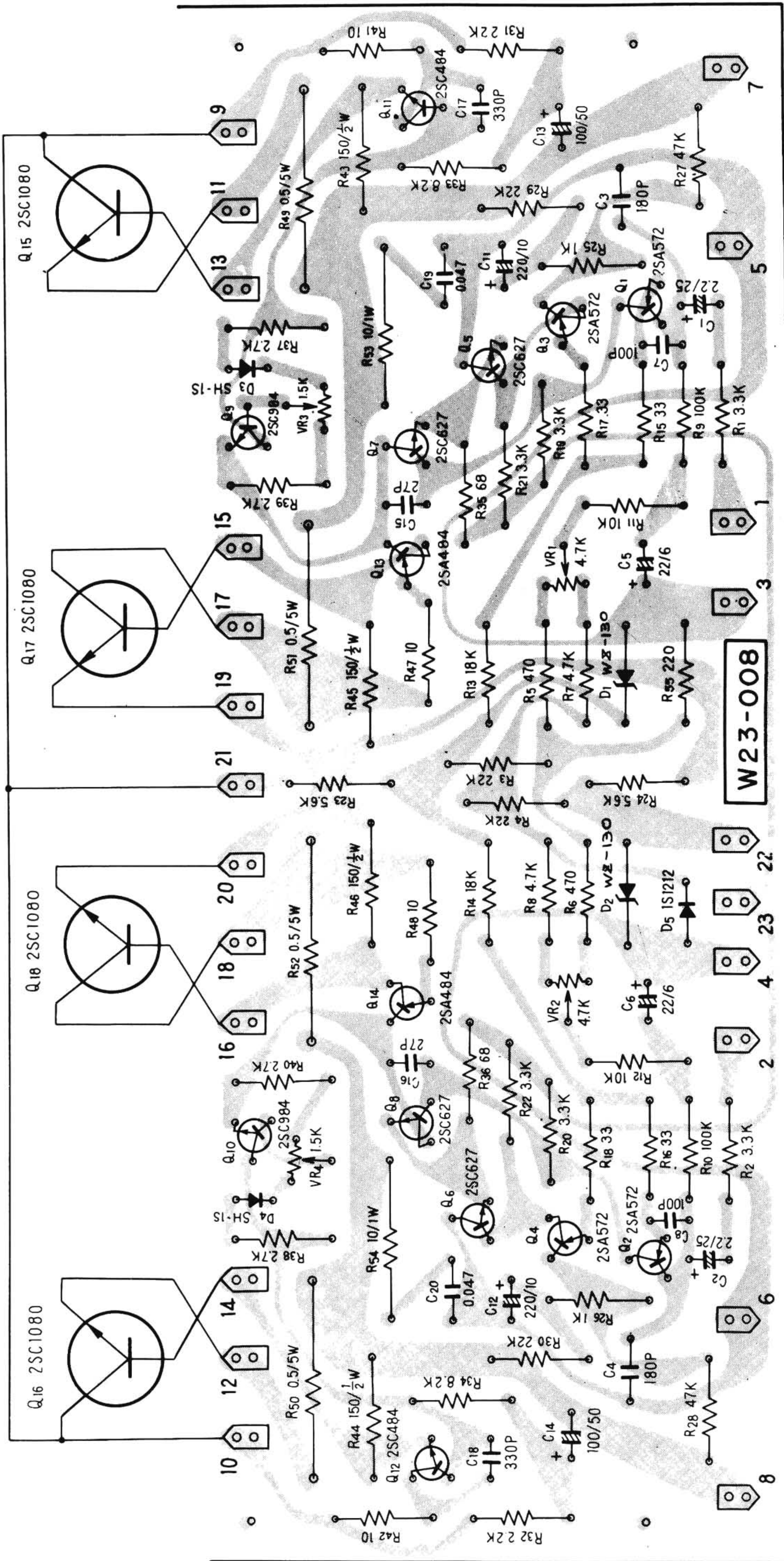


6-5 MAIN AMPLIFIER UNIT (W23-008)

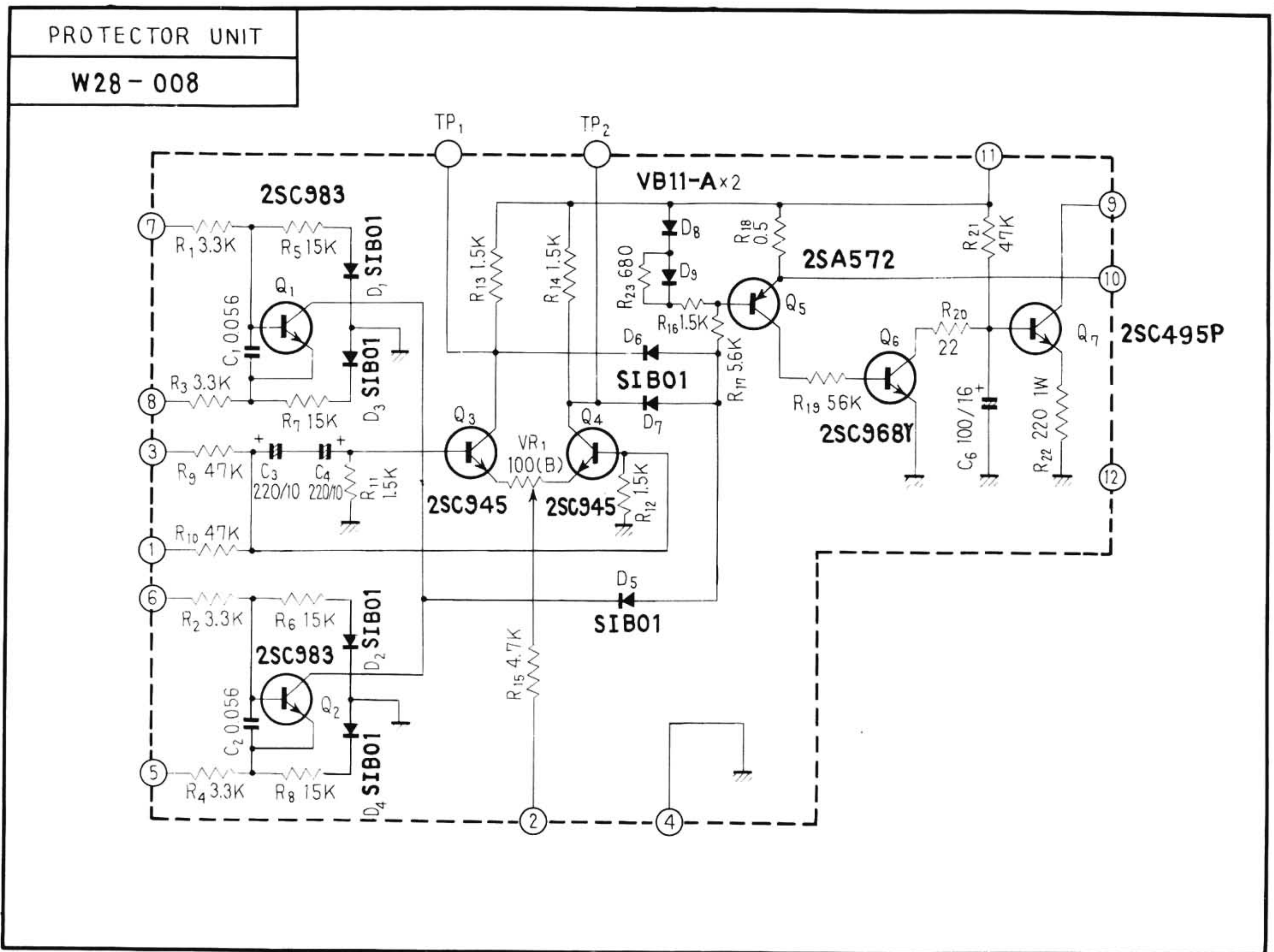
MAIN AMP UNIT
W23-008



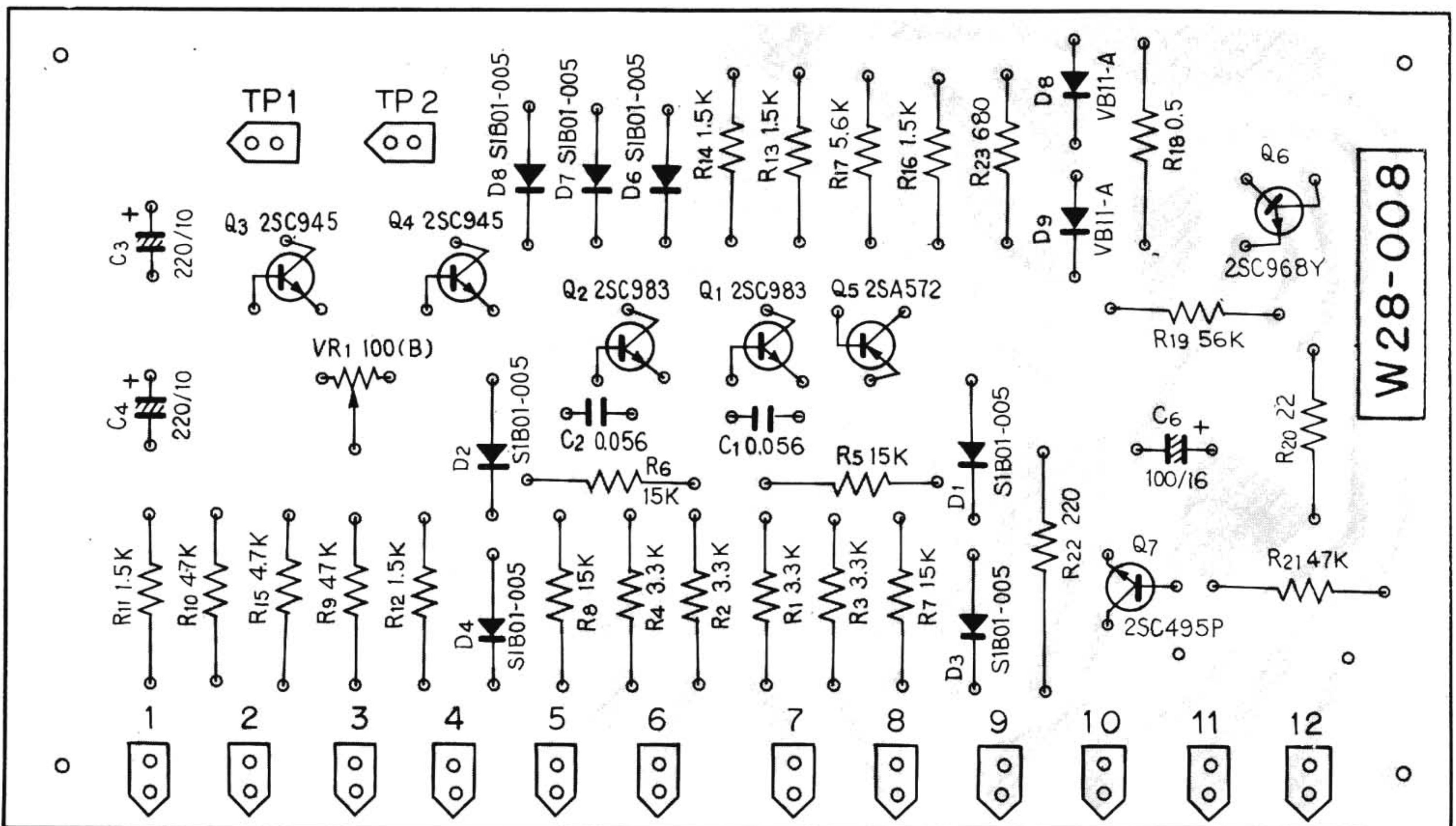
FOIL SIDE



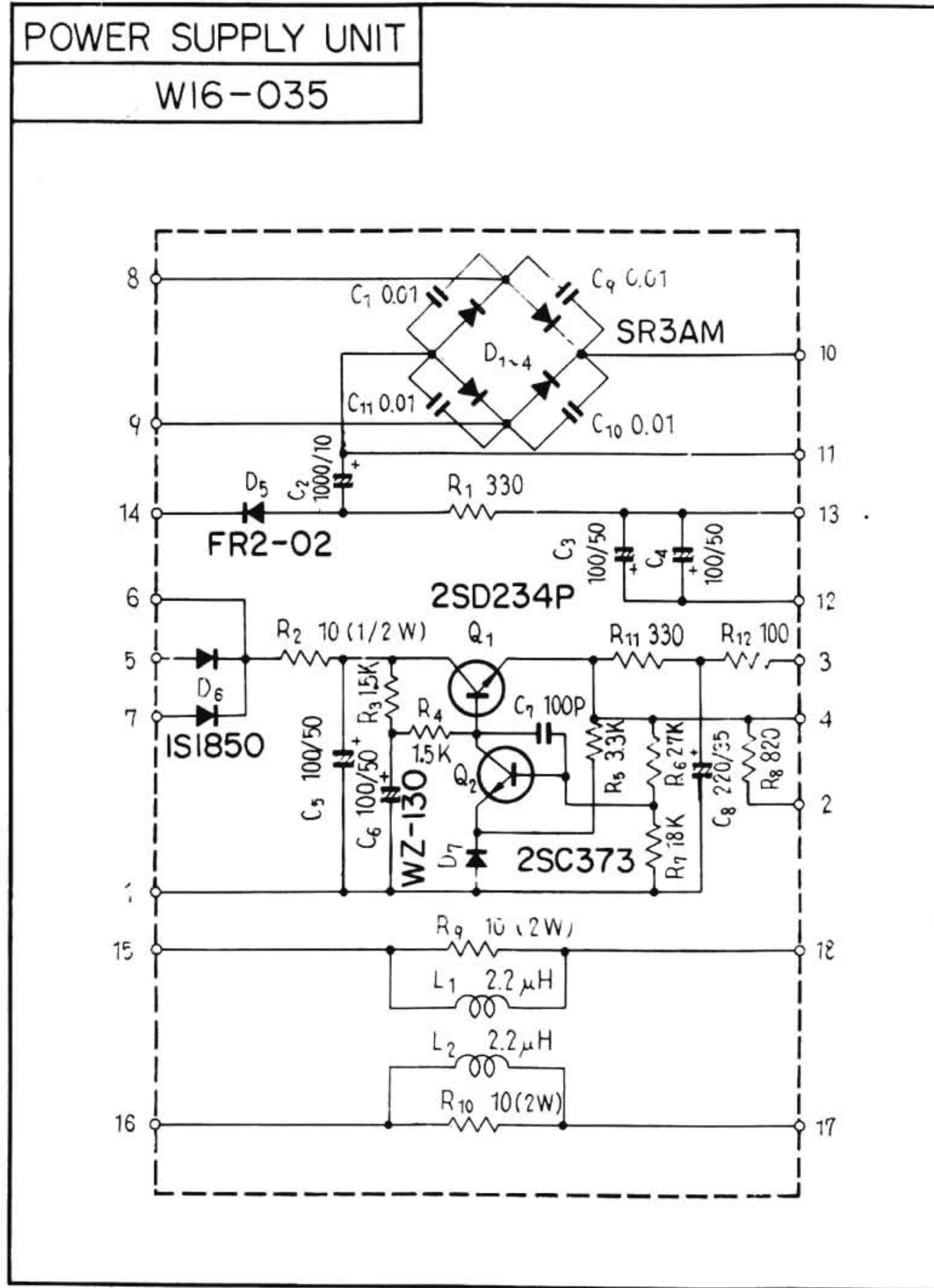
6-6 PROTECTOR UNIT (W28-008)



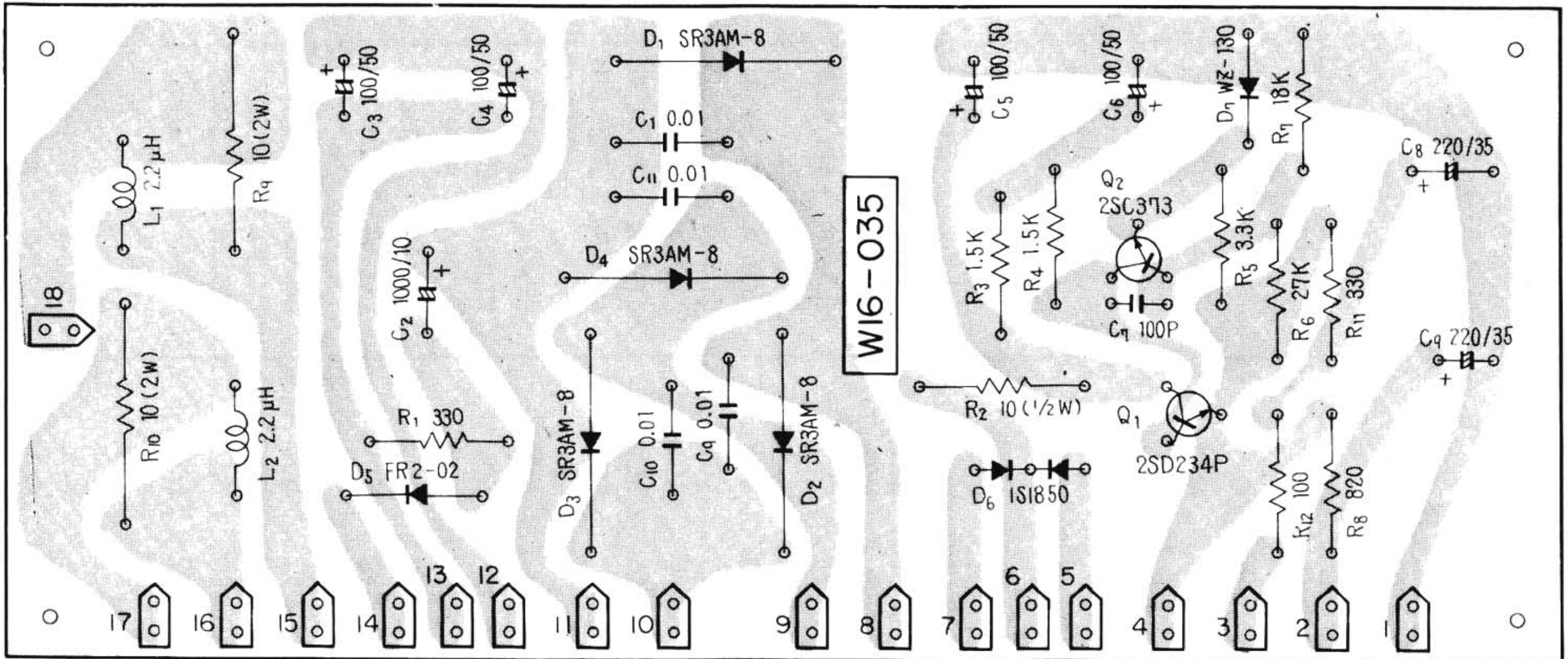
FOIL SIDE



6-7 POWER SUPPLY UNIT (W16-035)



FOIL SIDE



7. PARTS LIST

7-1 MISCELLANEOUS PARTS CAPACITORS

Symbol	Description	Part No.
C1	Ceramic 0.01 50V	CKDYF 103Z50
C2	Ceramic 0.01 50V	CKDYF 103Z50
C3	Styrol 0.0018 50V	CQSA 182K50
C4	Styrol 0.0018 50V	CQSA 182K50
C5	Styrol 0.001 50V	CQSA 102K50
C6	Styrol 0.001 50V	CQSA 102K50
C7	Styrol 0.0018 50V	CQSA 182K50
C8	Styrol 0.0018 50V	CQSA 182K50
C9	Mylar 0.05 50V	CQMA 503K50
C10	Mylar 0.05 50V	CQMA 503K50
C11	Mylar 0.025 50V	CQMA 253K50
C12	Mylar 0.025 50V	CQMA 253K50
C13	Mylar 0.015 50V	CQMA 153K50
C14	Mylar 0.015 50V	CQMA 153K50
C15	Mylar 0.03 50V*	CQMA 303K50
C16	Mylar 0.03 50V	CQMA 303K50
C17	Mylar 0.05 50V	CQMA 503K50
C18	Mylar 0.05 50V	CQMA 503K50
C19	Mylar 0.012 50V	CQMA 123K50
C20	Mylar 0.012 50V	CQMA 123K50
C21	Mylar 0.012 50V	CQMA 123K50
C22	Mylar 0.012 50V	CQMA 123K50
C23	Mylar 0.022 50V	CQMA 223K50
C24	Mylar 0.022 50V	CQMA 223K50
C25	Styrol 820p 50V	CQSA 821K50
C26	Styrol 820p 50V	CQSA 821K50
C27	Styrol 820p 50V	CQSA 821K50
C28	Styrol 820p 50V	CQSA 821K50

Symbol	Description	Part No.
C29	Styrol 0.0012 50V	CQSA 122K50
C30	Styrol 0.0012 50V	CQSA 122K50
C31	Mylar 0.002 50V	CQMA 202K50
C32	Mylar 0.002 50V	CQMA 202K50
C33	Electrolytic 4700 50V	C52-088-B
C34	Electrolytic 4700 50V	C52-088-B
C35	Electrolytic 4700 50V	C52-088-B
C36	Electrolytic 4700 50V	C52-088-B
C37	Electrolytic 1000 63V	ACH-001-B
C38	Oil 0.01 AC 450V	ACE-001-A KUW model
C39	Oil 0.01 AC 450V	ACE-001-A KUW model
C40	Ceramic 100p 50V	CCDSL 101K50
C41	Ceramic 100p 50V	CCDSL 101K50
C42	Electrolytic 47 50V	CEA 470P50
C43	Ceramic 0.01 DC 1.4kV	C43-003-O FVW model
C44	Ceramic 0.01 DC 1.4kV	C43-003-O FVW model
C45	Ceramic 0.01 DC 1.4kV	C43-003-O FVW model

RESISTORS

Symbol	Description	Part No.
R1	Carbon film 100k	RD¼PS 104K
R2	Carbon film 100k	RD¼PS 104K
R3	Carbon film 100k	RD¼PS 104K
R4	Carbon film 100k	RD¼PS 104K
R5	Carbon film 1M	RD¼PS 105K
R6	Carbon film 1M	RD¼PS 105K
R7	Carbon film 100K	RD¼PS 104K
R8	Carbon film 100k	RD¼PS 104K
R9	Carbon film 150k	RD¼PS 154K
R10	Carbon film 150k	RD¼PS 154K
R11	Carbon film 560k	RD¼PS 564K

Symbol	Description	Part No.
R44	Carbon film	RD $\frac{1}{4}$ PS 82K
R45	Carbon film	RD $\frac{1}{4}$ PS 102K
R46	Carbon film	RD $\frac{1}{4}$ PS 334K
R47	Carbon film	RD $\frac{1}{4}$ PS 334K
R48	Carbon film	RD $\frac{1}{4}$ PS 334K
R49	Carbon film	RD $\frac{1}{4}$ PS 334K
R50	Carbon film	RD $\frac{1}{4}$ PS 225K
R51	Carbon film	RD $\frac{1}{4}$ PS 225K
R52	Carbon film	RD $\frac{1}{4}$ PS 225K
R53	Carbon film	RD $\frac{1}{4}$ PS 225K
R54	Carbon film	RD $\frac{1}{4}$ PS 103K
R55	Carbon film	RD $\frac{1}{4}$ PS 103K

POTENTIOMETERS

Symbol	Description	Part No.
VR1	Dual-potentiometer 500k (B1)	C85-054-O
VR2	Dual-potentiometer 500k (HB)	C85-048-B

SWITCHES

Symbol	Description	Part No.
S1	Input selector switch	S13-045-O
S2	Mode switch	ASC-009-O
S3	Lever switch	S42-013-A
S4	Selector switch	S14-038-O
S5	Lever switch	ASK-001-O
S6	Lever switch	S42-015-O
S7	Tone switch (BASS)	S15-037-O
S8	Tone switch (BASS)	S15-037-O
S9	Tone switch (TREBLE)	S15-034-A
S10	Tone switch (TREBLE)	S15-034-A

Symbol	Description	Part No.
R12	Carbon film	RD $\frac{1}{4}$ PS 564K
R13	Carbon film	RD $\frac{1}{4}$ PS 104K
R14	Carbon film	RD $\frac{1}{4}$ PS 104K
R15	Carbon film	RD $\frac{1}{4}$ PS 223K
R16	Carbon film	RD $\frac{1}{4}$ PS 223K
R19	Carbon film	RD $\frac{1}{4}$ PS 332K
R20	Carbon film	RD $\frac{1}{4}$ PS 332K
R21	Carbon film	RD $\frac{1}{4}$ PS 124K
R22	Carbon film	RD $\frac{1}{4}$ PS 124K
R23	Carbon film	RD $\frac{1}{4}$ PS 334K
R24	Carbon film	RD $\frac{1}{4}$ PS 334K
R25	Carbon film	RD $\frac{1}{4}$ PS 474K
R26	Carbon film	RD $\frac{1}{4}$ PS 474K
R27	Carbon film	RD $\frac{1}{4}$ PS 184K
R28	Carbon film	RD $\frac{1}{4}$ PS 184K
R29	Carbon film	RD $\frac{1}{4}$ PS 153K
R30	Carbon film	RD $\frac{1}{4}$ PS 153K
R31	Carbon film	RD $\frac{1}{4}$ PS 182K
R32	Carbon film	RD $\frac{1}{4}$ PS 182K
R33	Carbon film	RD $\frac{1}{4}$ PS 104K
R34	Carbon film	RD $\frac{1}{4}$ PS 104K
R35	Carbon film	RD $\frac{1}{4}$ PS 103K
R36	Carbon film	RD $\frac{1}{4}$ PS 103K
R37	Carbon film	RD $\frac{1}{4}$ PS 222K
R38	Carbon film	RD $\frac{1}{4}$ PS 222K
R39	Carbon film	RD $\frac{1}{4}$ PS 123K
R40	Carbon film	RD $\frac{1}{4}$ PS 123K
R41	Wire wound	RT5B 151K 5W
R42	Wire wound	RT5B 151K 5W
R43	Carbon film	RD $\frac{1}{4}$ PS 82K

Symbol	Description	Part No.	
S11	Lever switch	S42-014-O	
S12	Lever switch	S42-005-B	
S13	Lever switch	S42-004-A	
S14	Lever switch	S42-014-O	KUW model
S15	Speaker selector with AC switch	ASA-001-A	FVW model
		S11-022-A	
S16	Slide switch	S41-025-O	
S17	Thermo switch	AST-001-O	KUW model
S18	Relay	S61-006-O	

OTHERS

Symbol	Description	Part No.	
	Head amplifier unit	W21-007-O	
	Control amplifier unit	W15-050-C	
	Filter unit	W28-004-O	
	Main amplifier unit	W23-008-O	
	Power supply unit	W16-035-A	
	Protector unit	W28-008-A	
	Front panel Ass'y	ANB-053-O	
	Wooden case	M52-139-C	
	Foot	AEC-012-O	
	Large knob	A12-299-A	
	Middle knob	A12-232-A	
	Lever switch knob	A19-096-O	
	Knob for Imp. switch	A12-240-O	
	1P input jack	K21-005-C	
	4P input jack	K21-010-E	
	6P input jack	K22-013-D	FVW model
	Power transformer	ATT-011-A	KUW model
	Compound part for REC	T52-211-C	
	5P connector socket	W52-004-O	
		K93-003-B	

Symbol	Description	Part No.	
	Dual speaker socket	K72-031-O	FVW model
	Dual AC outlet	K82-014-O	FVW model
	AC outlet	K82-012-O	KUW model
	AC outlet	AKP-002-O	
	Headphone jack	K72-026-O	
	Microphone jack	K72-024-O	
	Swan type pilot lamp socket	K42-003-A	FVW model
	Fuse holder	AKR-001-O	KUW model
	Fuse holder	K96-007-B	
	Swan type pilot lamp	E22-020-O	
	3A fuse	E21-006-O	FVW model
	3A fuse	E21-021-O	KUW model
	1.5A fuse	E21-012-O	FVW model
	AC cord	D11-002-B	FVW model
	AC cord	D11-003-E	KUW model
	Fuse 1A	E21-020-O	FVW model
	Fuse 1A	AEK-004-O	KUW model
	Operating instructions	ARB-003-A	FVW model
	Operating instructions	ARB-002-A	KUW model
	Screw for ground	B11-012-A	
	Screw	B11-015-B	
	Tooth washer	B21-011-O	
	Tooth washer	ABE-001-O	
	Connection cord (White)	D51-003-B	
	Connection cord (Red)	D51-004-B	
	Pin plug	K72-015-A	
	Speaker plug	K72-007-B	
	8P socket	K24-002-A	
	Pilot lamp socket	K42-003-A	FVW model
	Packing case	AHD-011-O	
	Styrol	AHD-012-O	KUW model
	Cardboard cushion	H11-070-B	
		H11-078-O	

7-2 HEAD AMPLIFIER UNIT (W21-007)

CAPACITORS

Symbol	Description	Part No.
C1	Electrolytic 1	CSSA 010X 25
C2	Electrolytic 1	CSSA 010X 25
C3	Electrolytic 4.7	CEA 4R7P 25
C4	Electrolytic 4.7	CEA 4R7P 25
C5	Electrolytic 10	CEA 100P 25
C6	Electrolytic 10	CEA 100P 25
C7	Ceramic 100P	CCDSL 101K 50
C8	Ceramic 100P	CCDSL 101K 50
C9	Ceramic 270P	CCDSL 271K 50
C10	Ceramic 270P	CCDSL 271K 50
C11	Mylar 0.01	CQMA103K 50
C12	Mylar 0.01	CQMA103K 50
C13	Mylar 0.0033	CQMA332K 50
C14	Mylar 0.0033	CQMA332K 50
C15	Electrolytic 100	CEA 101P 35

RESISTORS

Symbol	Description	Part No.
R1	Carbon film 3.3k	RD $\frac{1}{4}$ PS 332K
R2	Carbon film 3.3k	RD $\frac{1}{4}$ PS 332K
R3	Carbon film 330k	RD $\frac{1}{4}$ PS 334K
R4	Carbon film 330k	RD $\frac{1}{4}$ PS 334K
R5	Carbon film 330k	RD $\frac{1}{4}$ PS 334K
R6	Carbon film 330k	RD $\frac{1}{4}$ PS 334K
R7	Carbon film 330k	RD $\frac{1}{4}$ PS 331J
R8	Carbon film 330k	RD $\frac{1}{4}$ PS 331J
R9	Carbon film 470k	RD $\frac{1}{4}$ PS 474K
R10	Carbon film 470k	RD $\frac{1}{4}$ PS 474K

Symbol	Description	Part No.
R11	Carbon film 56k	RD $\frac{1}{4}$ PS 563K
R12	Carbon film 56k	RD $\frac{1}{4}$ PS 563K
R13	Carbon film 390k	RD $\frac{1}{4}$ PS 394K
R14	Carbon film 390k	RD $\frac{1}{4}$ PS 394K
R15	Carbon film 3.3k	RD $\frac{1}{4}$ PS 332K
R16	Carbon film 3.3k	RD $\frac{1}{4}$ PS 332K
R17	Carbon film 4.7k	RD $\frac{1}{4}$ PS 472K
R18	Carbon film 4.7k	RD $\frac{1}{4}$ PS 472K
R19	Carbon film 3.3k	RD $\frac{1}{4}$ PS 332K
R20	Carbon film 3.3k	RD $\frac{1}{4}$ PS 332K
R21	Carbon film 47k	RD $\frac{1}{4}$ PS 473K
R22	Carbon film 47k	RD $\frac{1}{4}$ PS 473K
R23	Carbon film 270k	RD $\frac{1}{4}$ PS 274K
R24	Carbon film 270k	RD $\frac{1}{4}$ PS 274K
R25	Carbon film 22k	RD $\frac{1}{4}$ PS 223K
R26	Carbon film 22k	RD $\frac{1}{4}$ PS 223K
R27	Carbon film 1.8k	RD $\frac{1}{4}$ PS 182K
R29	Carbon film 39k	RD $\frac{1}{4}$ PS 393K
R30	Carbon film 39k	RD $\frac{1}{4}$ PS 393K

SEMICONDUCTORS

Symbol	Description	Part No.
Q1	Transistor 2SC1000-BL	
Q2	Transistor 2SC1000-BL	
Q3	Transistor 2SC1000-BL,GR	
Q4	Transistor 2SC1000-BL,GR	
Q5	Transistor 2SC1000-BL,GR	
Q6	Transistor 2SC1000-BL,GR	

7-3 CONTROL AMPLIFIER UNIT (W15-050)

CAPACITORS

Symbol	Description	Part No.
C1	Mylar 0.1	25V
C2	Mylar 0.1	25V
C3	Electrolytic 30	6V
C4	Electrolytic 30	6V
C5	Ceramic 39p	50V
C6	Ceramic 39p	50V
C7	Electrolytic 4.7	25V
C8	Electrolytic 4.7	25V
C9	Ceramic 470p	50V
C10	Ceramic 470p	50V
C11	Electrolytic 10	25V
C12	Electrolytic 10	25V
C13	Electrolytic 10	25V
C14	Electrolytic 10	25V
C15	Electrolytic 220	35V

RESISTORS

Symbol	Description	Part No.
R1	Carbon film 1k	RD $\frac{1}{4}$ PS 102K
R2	Carbon film 1k	RD $\frac{1}{4}$ PS 102K
R3	Carbon film 4.7M	RD $\frac{1}{4}$ PS 475K
R4	Carbon film 4.7M	RD $\frac{1}{4}$ PS 475K
R5	Carbon film 4.7k	RD $\frac{1}{4}$ PS 472K
R6	Carbon film 4.7k	RD $\frac{1}{4}$ PS 472K
R7	Carbon film 1k	RD $\frac{1}{4}$ PS 102K
R8	Carbon film 1k	RD $\frac{1}{4}$ PS 102K
R9	Carbon film 39k	RD $\frac{1}{4}$ PS 393K
R10	Carbon film 39k	RD $\frac{1}{4}$ PS 393K

Symbol	Description	Part No.
R11	Carbon film 8.2k	RD $\frac{1}{4}$ PS 822K
R12	Carbon film 8.2k	RD $\frac{1}{4}$ PS 822K
R13	Carbon film 1.8k	RD $\frac{1}{4}$ PS 182K
R14	Carbon film 1.8k	RD $\frac{1}{4}$ PS 182K
R15	Carbon film 10k	RD $\frac{1}{4}$ PS 103K
R16	Carbon film 10k	RD $\frac{1}{4}$ PS 103K
R17	Carbon film 6.8k	RD $\frac{1}{4}$ PS 682K
R18	Carbon film 6.8k	RD $\frac{1}{4}$ PS 682K
R19	Carbon film 120k	RD $\frac{1}{4}$ PS 124K
R20	Carbon film 120k	RD $\frac{1}{4}$ PS 124K
R21	Carbon film 330	RD $\frac{1}{4}$ PS 331K
R22	Carbon film 330	RD $\frac{1}{4}$ PS 331K

SEMICONDUCTORS

Symbol	Description	Part No.
Q1	F.E.T.	2SK30-GR
Q2	F.E.T.	2SK17-Y
Q3	Transistor	2SC458LG-C
Q4	Transistor	2SC458LG-C
Q5	Transistor	2SC458LG-C
Q6	Transistor	2SC458LG-C

7-4 FILTER UNIT (W28-004)

CAPACITORS

Symbol	Description	Part No.
C1	Mylar 0.082 50V	CQMA823P 50
C2	Mylar 0.082 50V	CQMA823P 50
C3	Mylar 0.082 50V	CQMA823P 50
C4	Mylar 0.082 50V	CQMA823P 50
C5	Mylar 0.039 50V	CQMA393K 50
C6	Mylar 0.039 50V	CQMA393K 50
C7	Mylar 0.039 50V	CQMA393K 50
C8	Mylar 0.039 50V	CQMA393K 50
C9	Electrolytic 1 25V	CEA 010P 25
C10	Electrolytic 1 25V	CEA 010P 25
C11	Mylar 0.0082 50V	CQMA822K 50
C12	Mylar 0.0082 50V	CQMA822K 50
C13	Mylar 0.0047 50V	CQMA472K 50
C14	Mylar 0.0047 50V	CQMA472K 50
C15	Mylar 0.0039 50V	CQMA392K 50
C16	Mylar 0.0039 50V	CQMA392K 50
C17	Mylar 0.0022 50V	CQMA222K 50
C18	Mylar 0.0022 50V	CQMA222K 50
C19	Electrolytic 10 16V	CEA 100P 16
C20	Electrolytic 10 16V	CEA 100P 16
C21	Ceramic 82p 50V	CCDSL 820K 50
C22	Ceramic 82p 50V	CCDSL 820K 50
C23	Mylar 0.01 50V	CQMA103K 50
C24	Mylar 0.01 50V	CQMA103K 50
C25	Electrolytic 220 25V	CEA 221K 25

RESISTORS

Symbol	Description	Part No.
R1	Carbon film 39k	RD $\frac{1}{4}$ PS 393K
R2	Carbon film 39k	RD $\frac{1}{4}$ PS 393K
R3	Carbon film 39k	RD $\frac{1}{4}$ PS 393K
R4	Carbon film 39k	RD $\frac{1}{4}$ PS 393K
R5	Carbon film 4.7k	RD $\frac{1}{4}$ PS 472K
R6	Carbon film 4.7k	RD $\frac{1}{4}$ PS 472K
R7	Carbon film 220k	RD $\frac{1}{4}$ PS 224K
R8	Carbon film 220k	RD $\frac{1}{4}$ PS 224K
R9	Carbon film 180k	RD $\frac{1}{4}$ PS 184K
R10	Carbon film 180k	RD $\frac{1}{4}$ PS 184K
R11	Carbon film 4.7k	RD $\frac{1}{4}$ PS 472K
R12	Carbon film 4.7k	RD $\frac{1}{4}$ PS 472K
R13	Carbon film 2.2k	RD $\frac{1}{4}$ PS 222K
R14	Carbon film 2.2k	RD $\frac{1}{4}$ PS 222K
R15	Carbon film 3.9k	RD $\frac{1}{4}$ PS 392K
R16	Carbon film 3.9k	RD $\frac{1}{4}$ PS 392K
R17	Carbon film 68k	RD $\frac{1}{4}$ PS 683K
R18	Carbon film 68k	RD $\frac{1}{4}$ PS 683K
R19	Carbon film 27k	RD $\frac{1}{4}$ PS 273K
R20	Carbon film 27k	RD $\frac{1}{4}$ PS 273K
R21	Carbon film 1k	RD $\frac{1}{4}$ PS 102K
R22	Carbon film 1k	RD $\frac{1}{4}$ PS 102K

SEMICONDUCTORS

Symbol	Description	Part No.
Q1	Transistor	2SC870-E
Q2	Transistor	2SC870-E

7-5 MAIN AMPLIFIER UNIT (W23-008)

CAPACITORS

Symbol	Description	Part No.
C1	Electrolytic	CSSA 2R2X 25
C2	Electrolytic	CSSA 2R2X 25
C3	Ceramic	CCDSL 181K 50
C4	Ceramic	CCDSL 181K 50
C5	Electrolytic	CEA 220P 6
C6	Electrolytic	CEA 220P 6
C7	Ceramic	CCDSL 101K 50
C8	Ceramic	CCDSL 101K 50
C11	Electrolytic	CEA 221P 10
C12	Electrolytic	CEA 221P 10
C13	Electrolytic	CEA 101P 50
C14	Electrolytic	CEA 101P 50
C15	Ceramic	CCDSL 270K 50
C16	Ceramic	CCDSL 270K 50
C17	Ceramic	CKDYB 331K 50
C18	Ceramic	CKDYB 331K 50
C19	Mylar	CQMA 473M 50
C20	Mylar	CQMA 473M 50

RESISTORS

Symbol	Description	Part No.
R1	Carbon film	RD $\frac{1}{4}$ PS 332K
R2	Carbon film	RD $\frac{1}{4}$ PS 332K
R3	Carbon film	RD $\frac{1}{4}$ PS 223K
R4	Carbon film	RD $\frac{1}{4}$ PS 223K
R5	Carbon film	RD $\frac{1}{4}$ PS 471K

Symbol	Description	Part No.
R6	Carbon film	RD $\frac{1}{4}$ PS 471K
R7	Carbon film	RD $\frac{1}{4}$ PS 472K
R8	Carbon film	RD $\frac{1}{4}$ PS 472K
R9	Carbon film	RD $\frac{1}{4}$ PS 104K
R10	Carbon film	RD $\frac{1}{4}$ PS 104K
R11	Carbon film	RD $\frac{1}{4}$ PS 103K
R12	Carbon film	RD $\frac{1}{4}$ PS 103K
R13	Carbon film	RD $\frac{1}{4}$ PS 183J
R14	Carbon film	RD $\frac{1}{4}$ PS 183J
R15	Carbon film	RD $\frac{1}{4}$ PS 330K
R16	Carbon film	RD $\frac{1}{4}$ PS 330K
R17	Carbon film	RD $\frac{1}{4}$ PS 330K
R18	Carbon film	RD $\frac{1}{4}$ PS 330K
R19	Carbon film	RD $\frac{1}{4}$ PS 332K
R20	Carbon film	RD $\frac{1}{4}$ PS 332K
R21	Carbon film	RD $\frac{1}{4}$ PS 332K
R22	Carbon film	RD $\frac{1}{4}$ PS 332K
R23	Carbon film	RD $\frac{1}{4}$ PS 562K
R24	Carbon film	RD $\frac{1}{4}$ PS 562K
R25	Carbon film	RD $\frac{1}{4}$ PS 102K
R26	Carbon film	RD $\frac{1}{4}$ PS 102K
R27	Carbon film	RD $\frac{1}{4}$ PS 473K
R28	Carbon film	RD $\frac{1}{4}$ PS 473K
R29	Carbon film	RD $\frac{1}{4}$ PS 223K
R30	Carbon film	RD $\frac{1}{4}$ PS 223K
R31	Carbon film	RD $\frac{1}{4}$ PS 222K
R32	Carbon film	RD $\frac{1}{4}$ PS 222K
R33	Carbon film	RD $\frac{1}{4}$ PS 822K
R34	Carbon film	RD $\frac{1}{4}$ PS 822K
R35	Carbon film	RD $\frac{1}{4}$ PS 68

Symbol	Description	Part No.
R36	Carbon film	RD $\frac{1}{4}$ PS 680K
R37	Carbon film	RD $\frac{1}{4}$ PS 272K
R38	Carbon film	RD $\frac{1}{4}$ PS 272K
R39	Carbon film	RD $\frac{1}{4}$ PS 272K
R40	Carbon film	RD $\frac{1}{4}$ PS 272K
R41	Carbon film	RD $\frac{1}{4}$ PS 100K
R42	Carbon film	RD $\frac{1}{4}$ PS 100K
R43	Carbon film	RD $\frac{1}{2}$ PS 151K
R44	Carbon film	RD $\frac{1}{2}$ PS 151K
R45	Carbon film	RD $\frac{1}{2}$ PS 151K
R46	Carbon film	RD $\frac{1}{2}$ PS 151K
R47	Carbon film	RD $\frac{1}{4}$ PS 100K
R48	Carbon film	RD $\frac{1}{4}$ PS 100K
R49	Wire wound	RS5B 0R5K 5W
R50	Wire wound	RS5B 0R5K 5W
R51	Wire wound	RT5B 0R5K 5W
R52	Wire wound	RT5B 0R5K 5W
R53	Metal oxide	RS1P 100K 1W
R54	Metal oxide	RS1P 100K 1W
R55	Carbon film	RD $\frac{1}{4}$ PS 221K

SEMICONDUCTORS

Symbol	Description	Part No.
Q1	Transistor 2SA572-4B or 5A, 5B	
Q2	Transistor 2SA572-4B or 5A, 5B	
Q3	Transistor 2SA572-4B or 5A, 5B	
Q4	Transistor 2SA572-4B or 5A, 5B	
Q5	Transistor 2SC627-1	

Symbol	Description	Part No.
Q6	Transistor 2SC627-1	
Q7	Transistor 2SC627-1	
Q8	Transistor 2SC627-1	
Q9	Transistor 2SC984-B	
Q10	Transistor 2SC984-B	
Q11	Transistor 2SC484-Y or BL	
Q12	Transistor 2SC484-Y or BL	
Q13	Transistor 2SA484-Y or BL	
Q14	Transistor 2SA484-Y or BL	
Q15	Transistor 2SC+080-R	
Q16	Transistor 2SC1080-R	
Q17	Transistor 2SC1080-R	
Q18	Transistor 2SC1080-R	
D1	Diode WZ-130	
D2	Diode WZ-130	
D3	Diode SH-1S	
D4	Diode SH-1S	
D5	Diode 1S1212	

SEMI-FIXED POTENTIOMETERS

Symbol	Description	Part No.
VR1	Semi-fixed 4.7k-B	C92-051-O
VR2	Semi-fixed 4.7k-B	C92-051-O
VR3	Semi-fixed 1.5k-B	C92-066-O
VR4	Semi-fixed 1.5k-B	C92-066-O

CAPACITORS

Symbol	Description	Part No.
C1	Mylar 0.056 50V	CQMA563K 50
C2	Mylar 0.056 50V	CQMA563K 50
C3	Electrolytic 220 10V	CEA 221P 50
C4	Electrolytic 220 10V	CEA 221P 50
C6	Electrolytic 100 16V	CEA 101P 50

RESISTORS

Symbol	Description	Part No.
R1	Carbon film 3.3k	RD $\frac{1}{4}$ PS 332K
R2	Carbon film 3.3k	RD $\frac{1}{4}$ PS 332K
R3	Carbon film 3.3k	RD $\frac{1}{4}$ PS 332K
R4	Carbon film 3.3k	RD $\frac{1}{4}$ PS 332K
R5	Carbon film 15k	RD $\frac{1}{4}$ PS 153K
R6	Carbon film 15k	RD $\frac{1}{4}$ PS 153K
R7	Carbon film 15k	RD $\frac{1}{4}$ PS 153K
R8	Carbon film 15k	RD $\frac{1}{4}$ PS 153K
R9	Carbon film 47k	RD $\frac{1}{4}$ PS 473K
R10	Carbon film 47k	RD $\frac{1}{4}$ PS 473K
R11	Carbon film 1.5k	RD $\frac{1}{4}$ PS 152K
R12	Carbon film 1.5k	RD $\frac{1}{4}$ PS 152K
R13	Carbon film 1.5k	RD $\frac{1}{4}$ PS 152J
R14	Carbon film 1.5k	RD $\frac{1}{4}$ PS 152J
R15	Carbon film 4.7k	RD $\frac{1}{4}$ PS 472J
R16	Carbon film 1.5k	RD $\frac{1}{4}$ PS 152K
R17	Carbon film 5.6k	RD $\frac{1}{4}$ PS 562J
R18	Wire wound 0.5 2W	RT2B 0R5K
R19	Carbon film 56k	RD $\frac{1}{4}$ PS 563K
R20	Carbon film 22	RD $\frac{1}{4}$ PS 220K

Symbol	Description	Part No.
R21	Carbon film 47k	RD $\frac{1}{4}$ PS 473K
R22	Carbon film 220	RD $\frac{1}{4}$ PS 221K
R23	Carbon film 680 \pm 5%	RD $\frac{1}{4}$ PS 681J

SEMICONDUCTORS

Symbol	Description	Part No.
Q1	Transistor 2SC983-O or Y	
Q2	Transistor 2SC983-O or Y	
Q3	Transistor 2SC945-R	
Q4	Transistor 2SC945-R	
Q5	Transistor 2SA572-4	
Q6	Transistor 2SC968Y-2 or 3	
Q7	Transistor 2SC495P-Y	
D1	Diode SIB01-005	
D2	Diode SIB01-005	
D3	Diode SIB01-005	
D4	Diode SIB01-005	
D5	Diode SIB01-005	
D6	Diode SIB01-005	
D7	Diode SIB01-005	
D8	Diode VB-11A	
D9	Diode VB-11A	

SEMI-FIXED POTENTIOMETER

Symbol	Description	Part No.
VR1	Semi-fixed 100-B	C92-063-O

7-7 POWER SUPPLY UNIT (W16-035)

CAPACITORS

Symbol	Description	Part No.
C1	Ceramic 0.01 DC1.4kV	C43-003-O
C2	Electrolytic 1000 10V	CEA 102P 10
C3	Electrolytic 100 50V	CEA 101P 50
C4	Electrolytic 100 50V	CEA 101P 50
C5	Electrolytic 100 50V	CEA 101P 50
C6	Electrolytic 100 50V	CEA 101P 50
C7	Ceramic 100p 50V	CCDSL 101K 50
C8	Electrolytic 220 35V	CEA 221P 50
C9	Ceramic 0.01 DC1.4kV	C43-003-O
C10	Ceramic 0.01 DC1.4kV	C43-003-O
C11	Ceramic 0.01 DC1.4kV	C43-003-O

RESISTORS

Symbol	Description	Part No.
R1	Carbon film 330	RD $\frac{1}{4}$ PS 331K
R2	Carbon film 10 $\frac{1}{2}$ W	RD $\frac{1}{4}$ PS 100K
R3	Carbon film 1.5k	RD $\frac{1}{4}$ PS 152K
R4	Carbon film 1.5k	RD $\frac{1}{4}$ PS 152K
R5	Carbon film 3.3k	RD $\frac{1}{4}$ PS 332K
R6	Carbon film 18k	RD $\frac{1}{4}$ PS 183K
R7	Carbon film 12k	RD $\frac{1}{4}$ PS 123K
R8	Carbon film 820	RD $\frac{1}{4}$ PS 821K
R9	Metal oxide 10 2W	RT2B 100K
R10	Metal oxide 10 2W	RT2B 100K

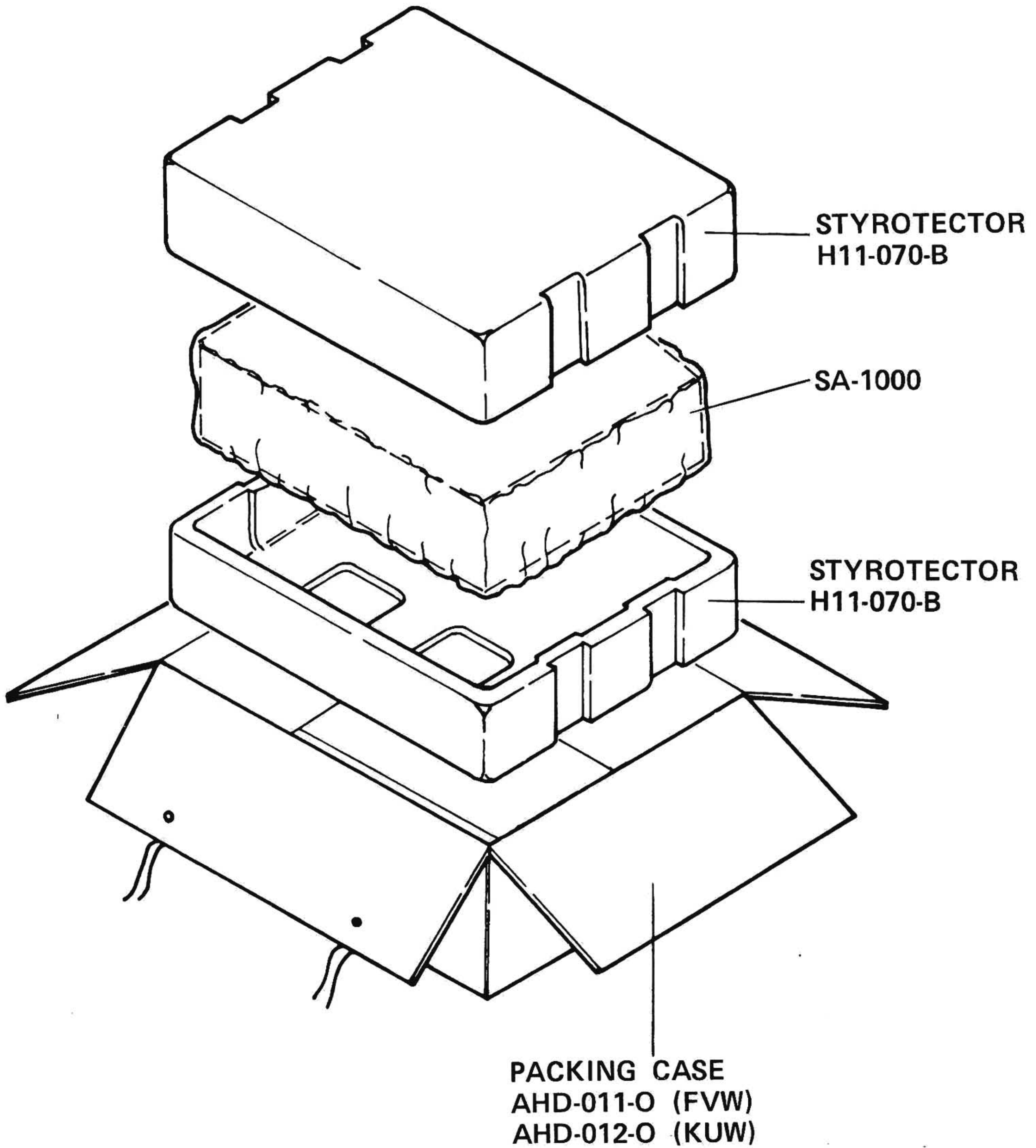
SEMICONDUCTORS

Symbol	Description	Part No.
Q1	Transistor 2SD234 P-0	
Q2	Transistor 2SD373	
D1	Diode SR3AM-8	
D2	Diode SR3AM-8	
D3	Diode SR3AM-8	
D4	Diode SR3AM-8	
D5	Diode FR2-02	
D6	Diode ISI850	
D7	Diode WZ-130	

COILS

Symbol	Description	Part No.
L1	AF choke coil	T63-009-A
L2	AF choke coil	T63-009-A

8. PACKING PARTS VIEW



9. ALTERATIONS

From serial No. 14901, some alterations have been made in parts and circuitry. The new parts and circuit diagrams are as follows.

- UNIT CONNECTION DIAGRAM
- HEAD AMPLIFIER UNIT
- FILTER UNIT

7. PARTS LIST

7-1 MISCELLANEOUS PARTS

CAPACITORS

IN μF , 10% TOLERANCE

Symbol	Description			Part No.
C19	Mylar	0.015	50V	CQMA153K 50
C20	Mylar	0.015	50V	CQMA153K 50
C21	Mylar	0.022	50V	CQMA223K 50
C22	Mylar	0.022	50V	CQMA223K 50
C23	Mylar	0.082	50V	CQMA823K 50
C24	Mylar	0.082	50V	CQMA823K 50
C42	Mylar	0.082	50V	CQMA823K 50
C47	Mylar	0.082	50V	CQMA823K 50

RESISTORS

IN OHM $\frac{1}{4}\text{W}$, 10% TOLERANCE, k:k Ω

Symbol	Description			Part No.
R17	Metal oxide	560	2W	RS2P 561K
R18	Metal oxide	560	2W	RS2P 561K
R56	Carbon film	120k		RD $\frac{1}{4}$ PS 124K
R57	Carbon film	120k		RD $\frac{1}{4}$ PS 124K

OTHERS

Symbol	Description	Part No.
	Head amplifier unit	W21-007-A
	Filter unit	W28-004-A

7-2 HEAD AMPLIFIER UNIT

RESISTORS

IN OHM ¼W, 10% TOLERANCE, k:kΩ

Symbol	Description	Part No.
R7	Carbon film 330 ± 5%	RD¼PS 331J
R8	Carbon film 330 ± 5%	RD¼PS 331J
R23	Carbon film 200k	RD¼PS 204K
R24	Carbon film 200k	RD¼PS 204K
R25	Carbon film 18k	RD¼PS 183K
R26	Carbon film 18k	RD¼PS 183K
R27	Carbon film 1k	RD¼PS 102K
R28	Carbon film 1k	RD¼PS 102K

7-4 FILTER UNIT

CAPACITORS

IN μF, 10% TOLERANCE

Symbol	Description	Part No.
C1	Mylar 0.15 50V	CQMA154K 50
C2	Mylar 0.15 50V	CQMA154K 50
C3	Mylar 0.15 50V	CQMA154K 50
C4	Mylar 0.15 50V	CQMA154K 50
C5	Mylar 0.082 50V	CQMA823K 50
C6	Mylar 0.082 50V	CQMA823K 50
C7	Mylar 0.082 50V	CQMA823K 50
C8	Mylar 0.082 50V	CQMA823K 50

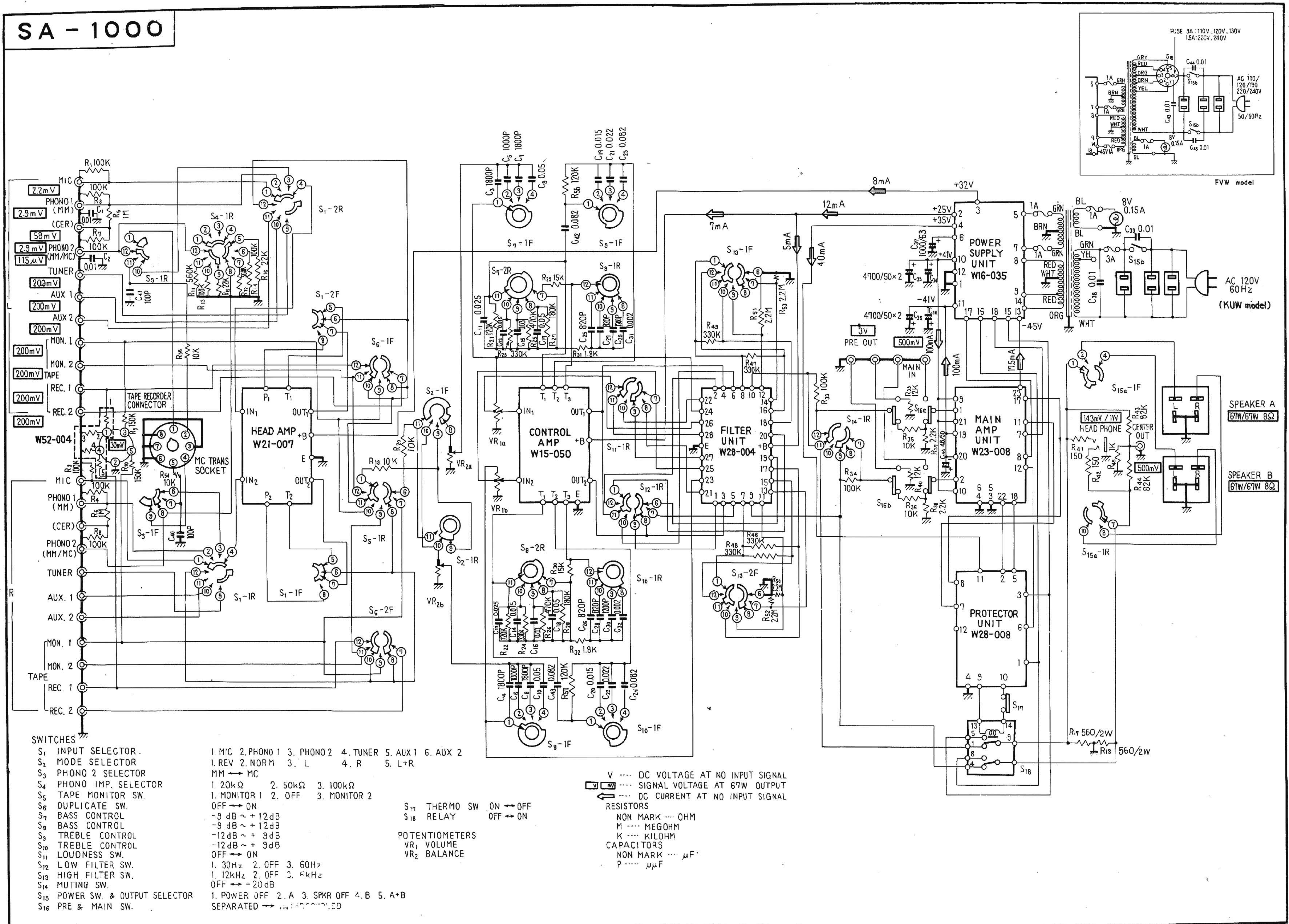
RESISTORS

IN OHM ¼W, 10% TOLERANCE k:kΩ

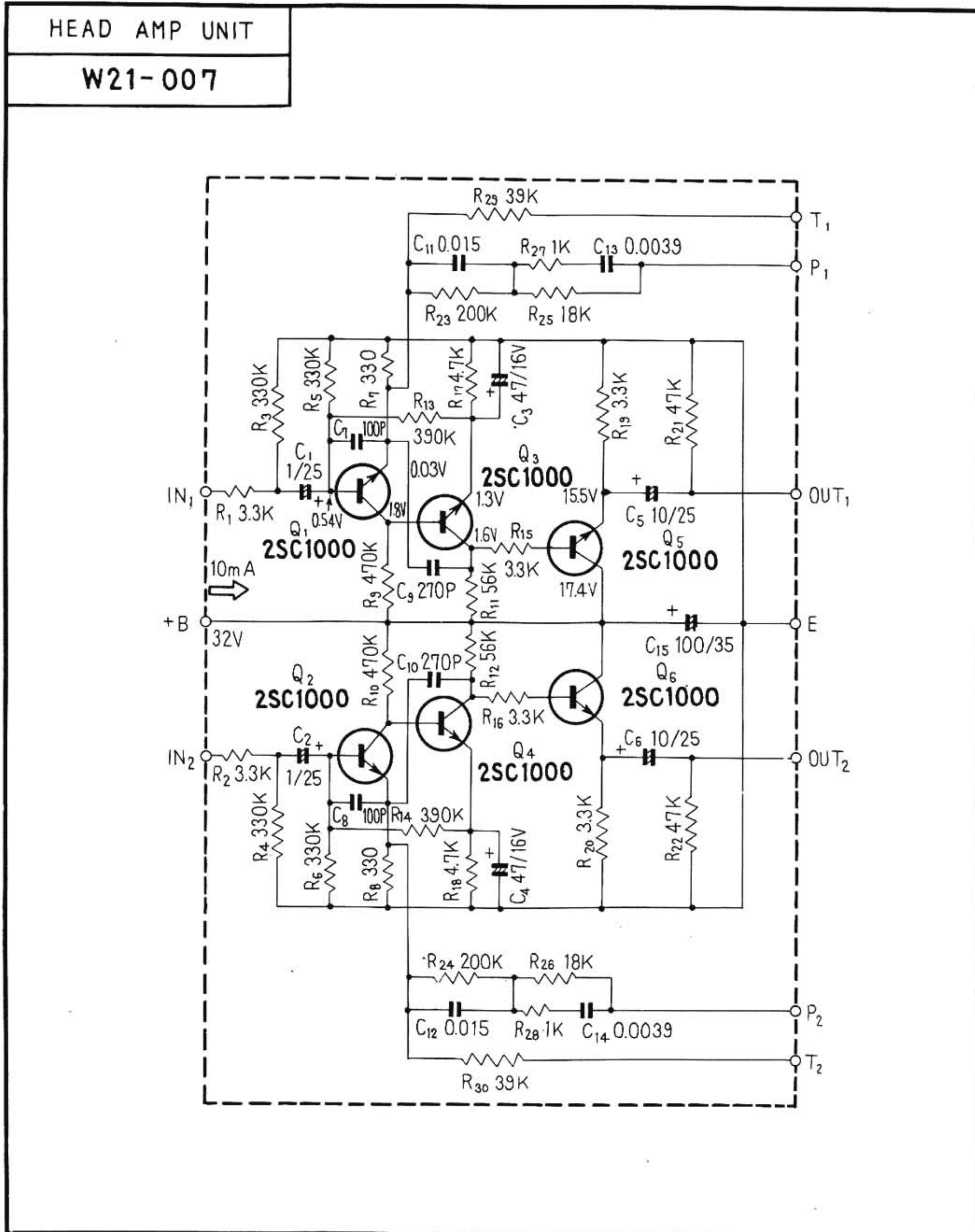
Symbol	Description	Part No.
R1	Carbon film 22k	RD¼PS 223K
R2	Carbon film 22k	RD¼PS 223K
R3	Carbon film 18k	RD¼PS 183K
R4	Carbon film 18k	RD¼PS 183K
R22	Carbon film 10k	RD¼PS 103K
R23	Carbon film 10k	RD¼PS 103K
R24	Carbon film 120k	RD¼PS 124K
R25	Carbon film 120k	RD¼PS 124K

6. SCHEMATIC DIAGRAM AND PRINTED CIRCUIT BOARDS

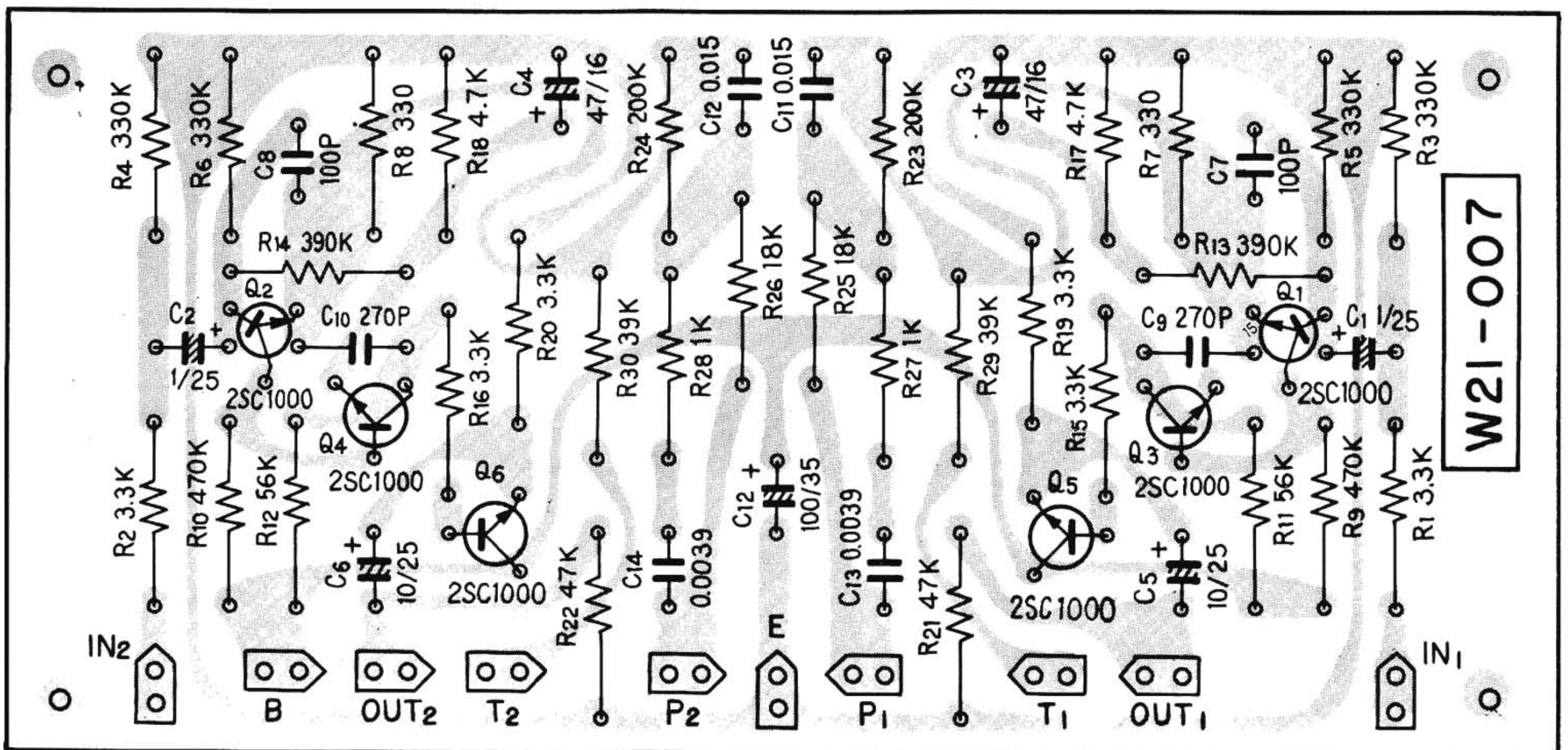
6-1 UNIT CONNECTION DIAGRAM



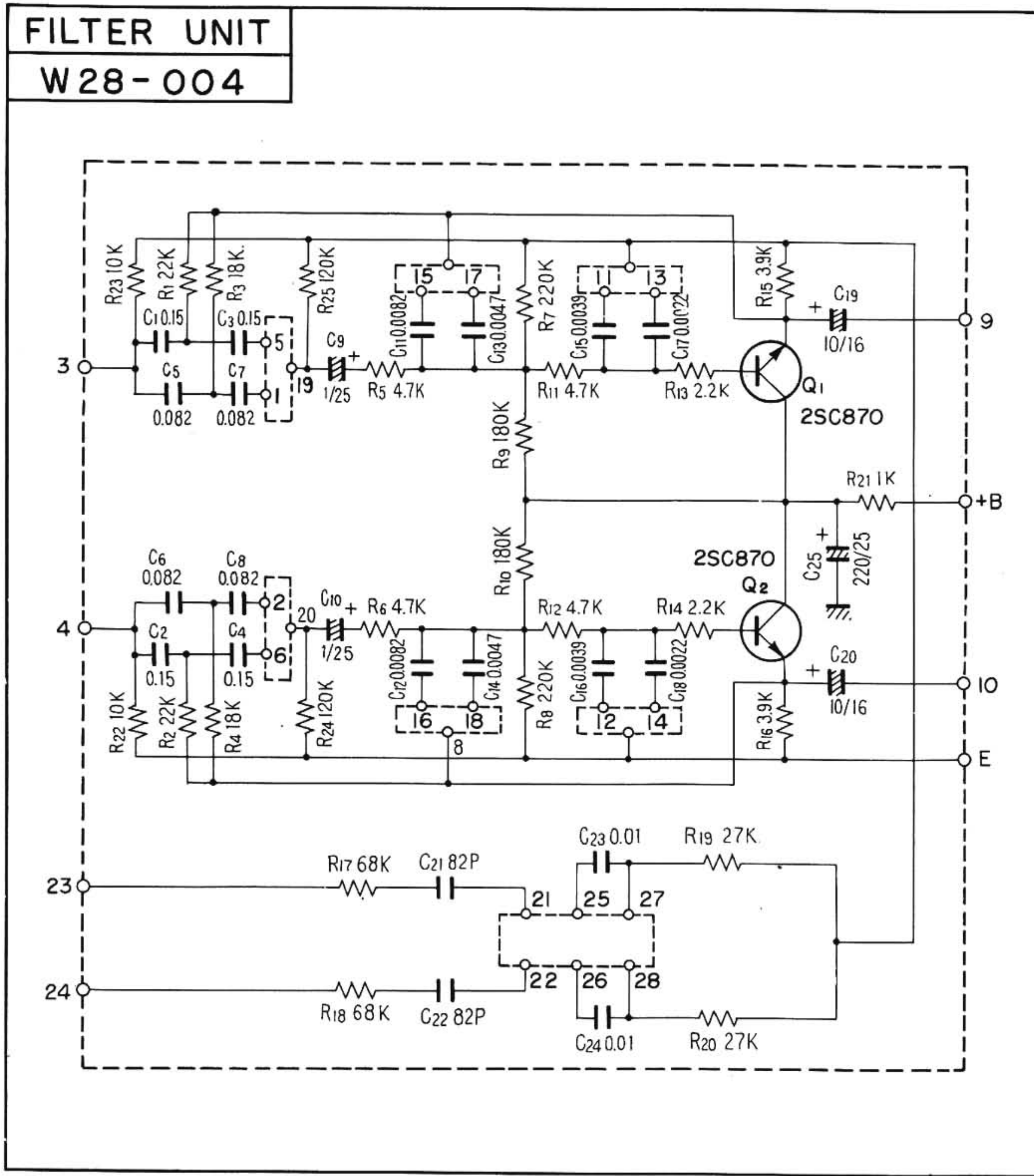
6-2 HEAD AMPLIFIER UNIT (W21-007)



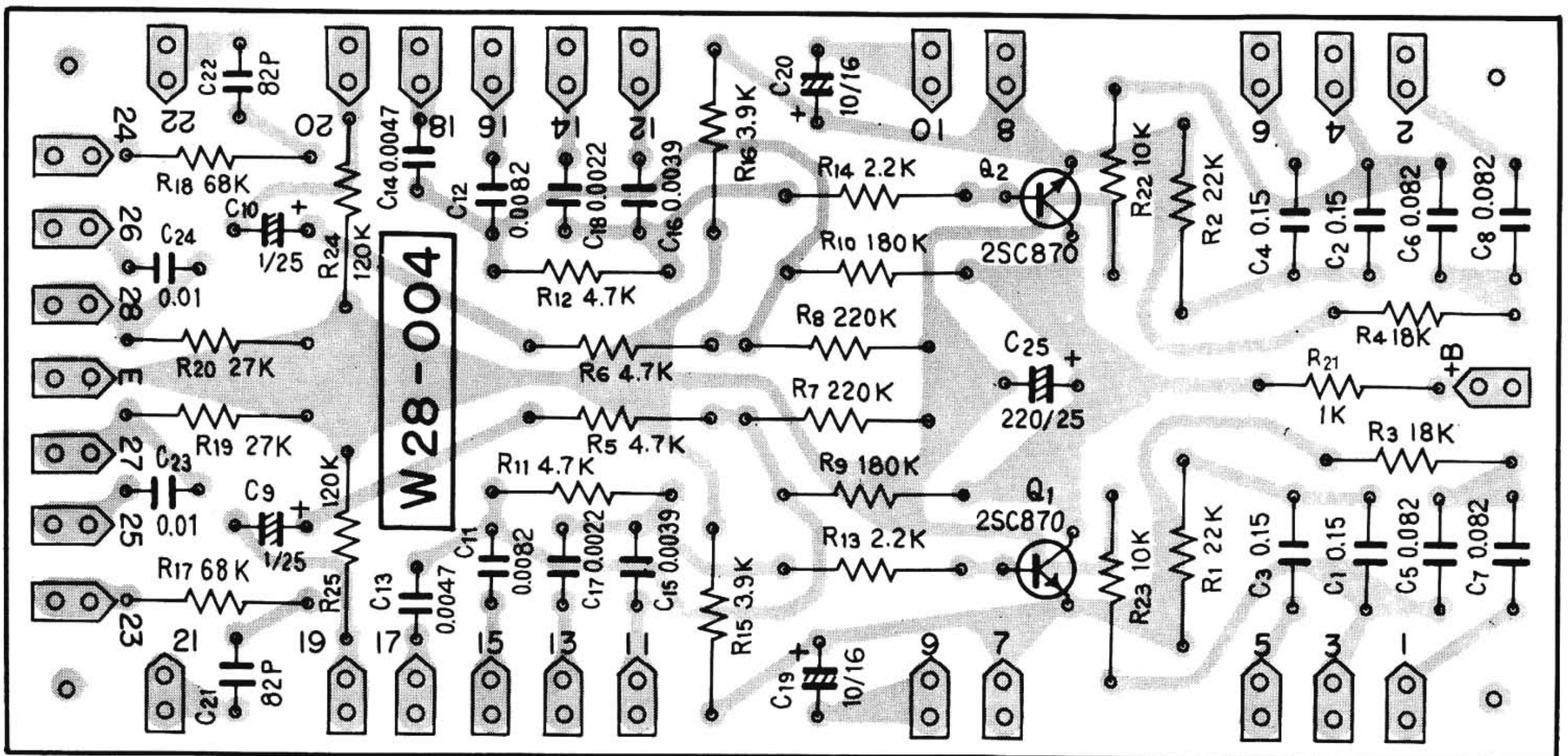
FOIL SIDE



6-4 FILTER UNIT (28-004)



FOIL SIDE



PIONEER ELECTRONIC CORPORATION

15-5, 4-Chome, Ohmori-nishi, Ohta-ku, Tokyo, Japan

U.S. PIONEER ELECTRONICS CORPORATION

178 Commerce Road, Carlstadt, New Jersey 07072 U. S. A.

PIONEER ELECTRONIC (EUROPE) N.V.

Noorderlaan 83, 2030 Antwerp, Belgium

SEPT . 1971

PRINTED IN JAPAN